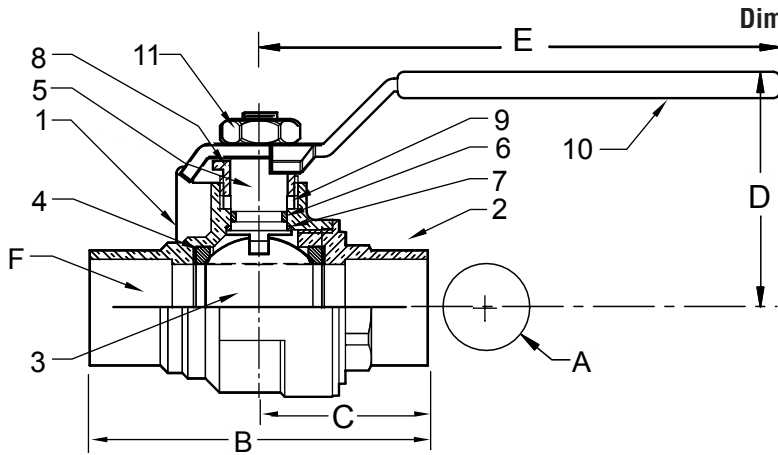


**Brass Ball Valve For Potable Water**  
**Two-Piece • Full-Port**  
**600 PSIG WOG**  
**Solder Ends**

**UP8911**

**1/2" - 2"**



Dimensions and workmanship conform to MSS SP-110

Designed in accordance with the requirements of California AB 1953 and Vermont S 152



WQA tested and Certified against WQA ORD0902 for California "lead free" compliance.

**MATERIALS LIST**

ITEM	PART	MATERIALS	ASTM SPEC.
1	Body	Brass Forged	B283 C69300
2	Tailpiece	Brass Forged	B283 C69300
		Brass	B283 C69300
3	Ball	Brass w/ Chrome	B283 C69300 Chrome Plated
4	Ball Seal	PTFE	Commercial
5	Stem	Brass	B283 C69300
6	O-Ring	Buna-N	D2006
7	Thrust Washer	PTFE	Commercial
8	Gland Nut	Brass	B16
9	Packing	PTFE	Commercial
10	Handle	Zinc Plated Steel	Commercial
11	Handle Nut	Zinc Plated Steel	Commercial

**DIMENSIONS**

Valve Size	UNITS	1/2"	3/4"	1"	1-1/4"	1-1/2"	2"
A	INCHES	.50	.76	1.00	1.26	1.50	2.00
	mm	12.7	19.3	25.0	32.0	38.1	51.0
B	INCHES	2.28	3.1	3.56	4.13	4.64	5.75
	mm	58	79	90	105	118	146
C	INCHES	1.14	1.55	1.78	2.06	2.32	2.87
	mm	29	39	45	52	59	73
D	INCHES	1.46	1.93	2.10	2.33	2.52	2.96
	mm	37	49	53	59	64	75
E	INCHES	3.14	4.35	4.35	5.00	5.00	6.90
	mm	80	110	110	127	127	175
F	TUBE SIZE	.63	.88	1.13	1.38	1.63	2.13
	Cv	18	40	72	112	161	287
TORQUE	in-lb	19	58	69	89	124	210
	N.m	2.1	6.5	7.8	10	14	24
WEIGHT	lbs	0.40	0.82	1.15	1.53	2.23	4.61
	Kg	.180	.370	.521	.696	1.012	2.092

Hammond Valve  
16550 W. Stratton Drive  
New Berlin, WI 53151  
Phone: 262-432-2702  
Fax: 262-432-2703

Rev 5

**Note:** Lead free refers to the wetted surface of the pipe, fittings and fixtures in potable water systems that have a weighted average lead content 0.25%. Source: California Health and Safety Code (116875).

The information presented on this sheet is correct at the time of publication. Hammond Valve reserves the right to change design, and/or material specifications without notice. For the Installation, Operation and Maintenance Manual (IOM) see the engineering section on our website. For the most current information access [www.hammondvalve.com](http://www.hammondvalve.com)  
Hammond Valve is a registered trade mark of Milwaukee Valve Company.



**HAMMONDVALVE**