



CHECK UP904

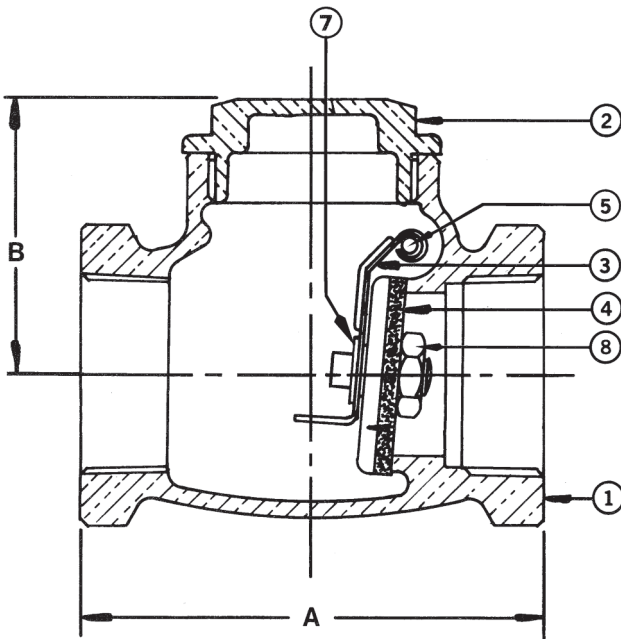
HORIZONTAL SWING - BRONZE

300 lb. WOG†
Potable Water Service
Bronze Disc
Threaded Ends

Dimensions and Workmanship Conform
to MSS SP-80
Designed in accordance with the requirements
of California AB 1953 and Vermont S 152



WQA tested and Certified
against WQA ORD0902
for California "lead free"
compliance.



| MATERIAL LIST | | | |
|---------------|------------------|-----------|---------------------|
| NO. | PART | MATERIAL | SPECIFICATION |
| 1 | Body | Bronze | ASTM B584 C89833 |
| 2 | Cap | Bronze | ASTM B584 C89833 |
| 3 | Lever | St. Steel | Commercial |
| 4 | Disc | Brass | ASTM B283 C69300 |
| | | Bronze | 2" ASTM B584 C89833 |
| 5 | Pin | St. Steel | Commercial |
| 6 | Disc Nut | Brass | ASTM B283 C46400 |
| 7 | Retaining Ring | St. Steel | Commercial |
| 8 | Plug (not shown) | Brass | ASTM B283 C69300 |

| DIMENSIONS - INCHES / MILLIMETERS | | | | |
|-----------------------------------|-------|--------|--------|----------------|
| UNITS | SIZE | A | B | C _v |
| Inches | 1/4 | 2.13 | 1.44 | 3.3 |
| mm | 6.35 | 53.98 | 36.53 | |
| Inches | 3/8 | 2.13 | 1.44 | 6.0 |
| mm | 9.53 | 53.98 | 36.53 | |
| Inches | 1/2 | 2.31 | 1.44 | 10.0 |
| mm | 12.70 | 58.75 | 36.53 | |
| Inches | 3/4 | 2.63 | 1.69 | 18.0 |
| mm | 19.05 | 66.68 | 42.88 | |
| Inches | 1 | 3.25 | 2.00 | 31.0 |
| mm | 25.40 | 82.55 | 50.80 | |
| Inches | 1 1/4 | 3.56 | 2.13 | 54.0 |
| mm | 31.75 | 90.50 | 53.98 | |
| Inches | 1 1/2 | 4.00 | 2.38 | 76.0 |
| mm | 38.10 | 101.60 | 60.33 | |
| Inches | 2 | 4.75 | 2.81 | 131.0 |
| mm | 50.80 | 130.18 | 207.98 | |

† Non-Shock

Rev. 4

Hammond Valve
16550 W. Stratton Drive
New Berlin, WI 53151
Phone: 262-432-2702
Fax: 262-432-2703

Note: Lead free refers to the wetted surface of the pipe, fittings and fixtures in potable water systems that have a weighted average lead content 0.25%. Source: California Health and Safety Code (116875).

The information presented on this sheet is correct at the time of publication. Hammond Valve reserves the right to change design, and/or material specifications without notice. For the Installation, Operation and Maintenance Manual (IOM) see the engineering section on our website. For the most current information access www.hammondvalve.com
Hammond Valve is a registered trade mark of Milwaukee Valve Company.

