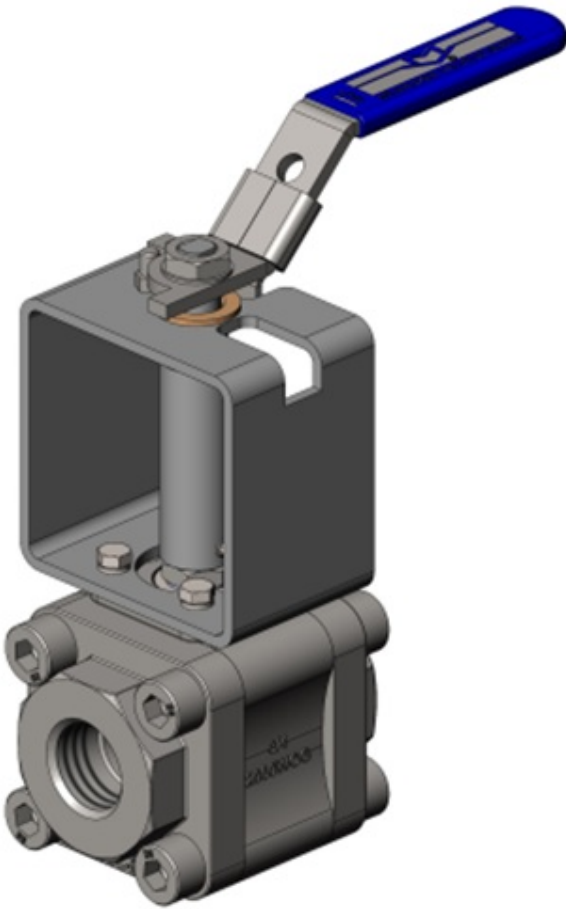


# The More You Know



March 29, 2023

## Locking Feature Added to Extension Handles for Severe Service Ball Valves.



Milwaukee Valve has added a locking feature to the stem extension option available for 35 Series carbon and stainless steel ball valves. The 3-piece valves include a locking lever handle as standard, but the -LXH extension option provides customers with the added benefit of extending the handle a minimum of 3" above the piping. This extension ensures ease of operation and adequate clearance from insulation and other

obstructions, while maintaining the locking capability to prevent tampering or changes to system configuration without proper authorization.

Dimensional and instructional information on the -LXH option can be found by clicking [HERE](#). For pricing and product availability, contact your Customer & Field Support Representative.



**MILWAUKEE VALVE**

[www.milwaukeevalve.com](http://www.milwaukeevalve.com)  
262.432.2700



**HAMMOND VALVE**

[www.hammondvalve.com](http://www.hammondvalve.com)  
262.432.2702



[www.milwaukeevalve.com](http://www.milwaukeevalve.com)  
262.432.2700

16550 West Stratton Drive, New Berlin, WI 53151

