

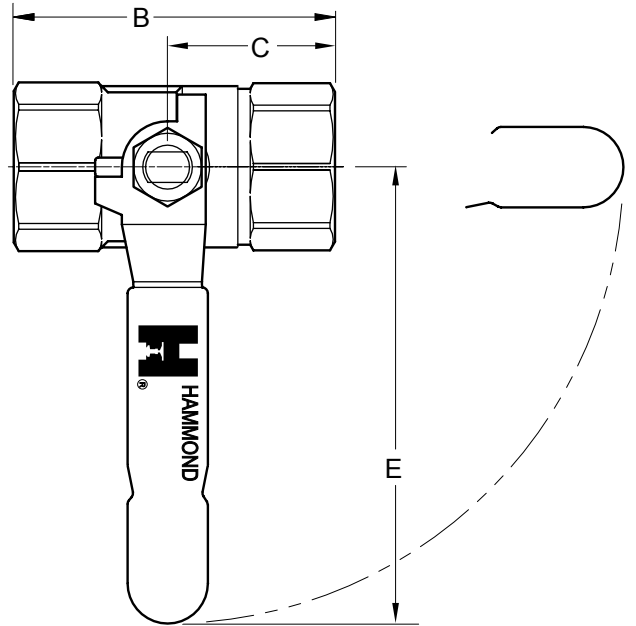
8201* 1/4"-4"

**Brass Ball Valve
Two Piece
Standard Port (1/2" - 4") Full Port (1/4" - 3/8")
400 WOG
Threaded Ends
Blow-Out Proof Stem
MSS SP-110**

MATERIALS LIST

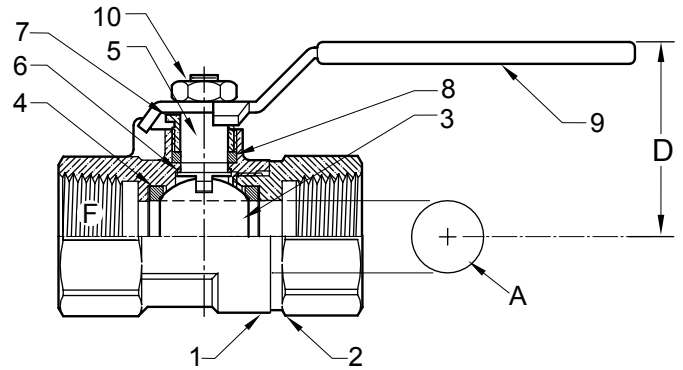
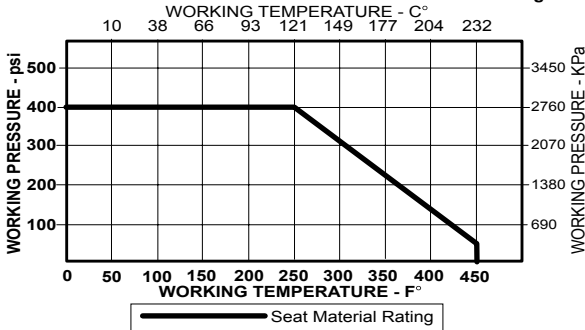
ITEM	PART	MATERIALS	ASTM SPEC.
1	Body	Brass, Forged	B283
2	Tailpiece	Brass, Forged	B283
3	Ball	Brass, CP	B283
		Brass CP, Cast	B584
4	Seat	PTFE	
5	Stem	Brass	B124
6	Thrust Washer	PTFE	
7	Gland Nut	Brass	B16
8	Gland Packing	PTFE	
9	Handle	Steel w/Zinc Plating	Commercial
10	Handle Nut	Brass	B16

*Not intended for use in potable water.



PRESSURE - TEMPERATURE DATA

VALVES RATED FOR VACUUM SERVICE TO 29 INCHES Hg.



DIMENSIONS

	UNITS	1/4" DN6	3/8" DN10	1/2" DN15	3/4" DN20	1" DN25	1-1/4" DN32	1-1/2" DN40	2" DN50	2-1/2" DN65	3" DN80	4" DN100
A (DIA)	INCHES	0.31	0.31	0.39	0.59	0.76	0.98	1.26	1.50	2.00	2.52	2.95
	mm	8	8	10	15	19	25	32	38	51	64	75
B	INCHES	1.65	1.65	2.30	2.55	3.05	3.43	3.76	4.21	5.50	6.22	7.31
	mm	42	42	58	65	78	87	96	107	140	158	186
C	INCHES	0.83	0.83	1.15	1.28	1.53	1.72	1.88	2.11	2.75	3.11	3.66
	mm	21	21	29	33	39	44	48	54	70	80	93
D	INCHES	1.38	1.38	1.50	1.61	2.00	2.17	2.72	2.87	3.66	4.02	4.33
	mm	35	35	38	41	51	55	69	73	93	102	110
E	INCHES	3.31	3.31	3.31	3.31	4.65	4.65	5.28	5.28	7.87	7.87	7.87
	mm	84	84	84	84	118	118	134	134	200	200	200
F	THREAD SIZE	1/4" NPT	3/8" NPT	1/2" NPT	3/4" NPT	1" NPT	1-1/4" NPT	1-1/2" NPT	2" NPT	2-2/1" NPT	3" NPT	4" NPT
Cv		9	9	12	18	40	72	112	161	287	448	645

Note: DN (Diameter Nominal) = Metric equivalent size.

The information presented on this sheet is correct at time of publication. Hammond Valve reserves the right to change design and/or materials without notice. For our Installation, Operation and Maintenance Manual and the most current product information go to www.hammondvalve.com. Hammond Valve is a registered trademark of Milwaukee Valve.

⚠ State of California Prop 65 **WARNING:** Cancer and Reproductive Harm. For more information visit www.p65warnings.ca.gov.