

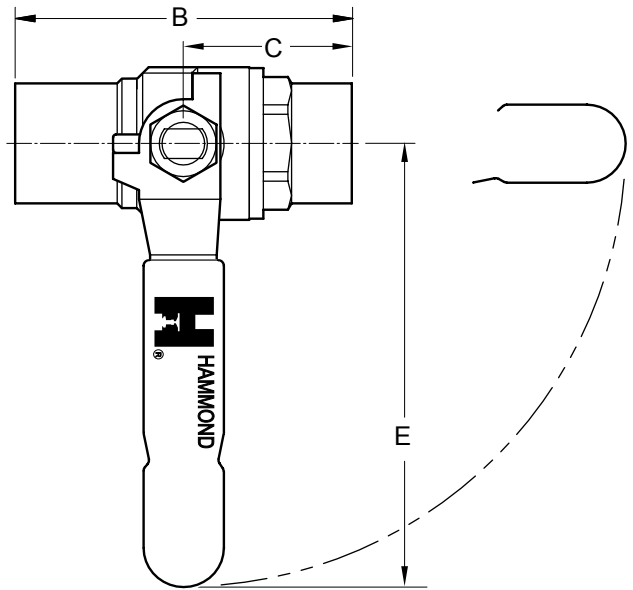
8211* 3/8"-3"

**Brass Ball Valve
Two Piece
Standard Port
400 WOG
Solder Ends
Blow-Out Proof Stem
MSS SP-110**

MATERIALS LIST

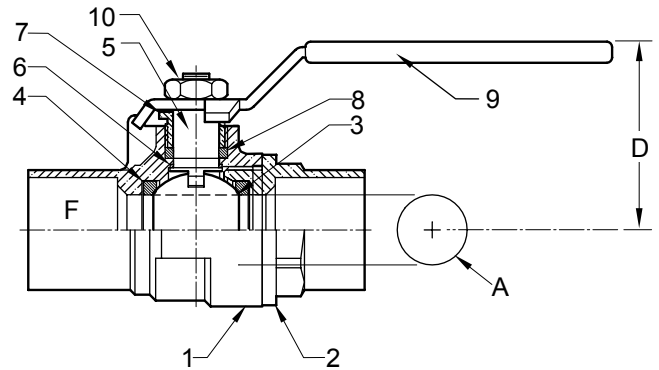
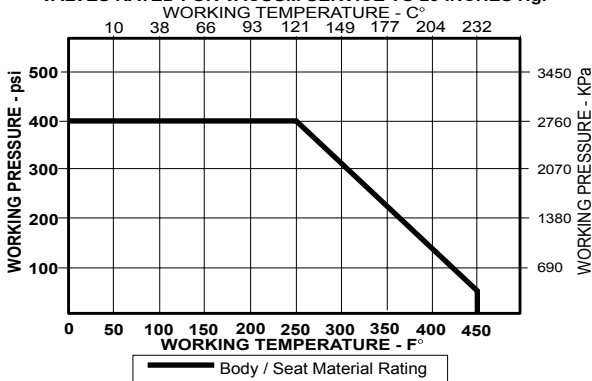
ITEM	PART	MATERIALS	ASTM SPEC.
1	Body	Brass, Forged	B283
2	Tailpiece	Brass, Forged	B283
3	Ball	Brass, CP	B283
		Brass CP, Cast	B584
4	Seat	PTFE	
5	Stem	Brass	B124
6	Thrust Washer	PTFE	
7	Gland Nut	Brass	B16
8	Gland Packing	PTFE	
9	Handle	Steel w/Zinc Plating	Commercial
10	Handle Nut	Brass	B16

*Not intended for use in potable water.



PRESSURE - TEMPERATURE DATA

VALVES RATED FOR VACUUM SERVICE TO 29 INCHES Hg.



DIMENSIONS

	UNITS	3/8" DN10	1/2" DN15	3/4" DN20	1" DN25	1-1/4" DN32	1-1/2" DN40	2" DN50	2-1/2" DN65	3" DN80
A (DIA)	INCHES	0.31	0.39	0.59	0.76	0.98	1.26	1.50	2.00	2.52
	mm	8	10	15	19	25	32	38	51	64
B	INCHES	1.75	2.19	2.83	3.44	3.85	4.43	5.23	5.94	6.97
	mm	45	56	72	87	98	113	133	151	177
C	INCHES	0.88	1.14	1.42	1.72	1.93	2.23	2.62	2.97	3.49
	mm	22	29	36	44	49	57	67	75	89
D	INCHES	1.38	1.50	1.61	2.00	2.17	2.72	2.87	3.66	4.02
	mm	35	38	41	51	55	69	73	93	102
E	INCHES	3.31	3.31	3.31	4.65	4.65	5.28	5.28	7.87	7.87
	mm	84	84	84	118	118	134	134	200	200
F	TUBE SIZE Ø	0.51	0.63	0.88	1.13	1.38	1.63	2.13	2.63	3.13
Cv		9	12	18	40	72	112	161	287	448

Note: DN (Diameter Nominal) = Metric equivalent size.

The information presented on this sheet is correct at time of publication. Hammond Valve reserves the right to change design and/or materials without notice. For our Installation, Operation and Maintenance Manual and the most current product information go to www.hammondvalve.com. Hammond Valve is a registered trademark of Milwaukee Valve.

⚠ State of California Prop 65 **WARNING:** Cancer and Reproductive Harm. For more information visit www.p65warnings.ca.gov.