

8281* 1/2"-3/4"

Brass Ball Valve
Two Piece
Full Port
150 SWP/400 WOG
Pex Ends
Blow-Out Proof Stem
ASME A112.4.14

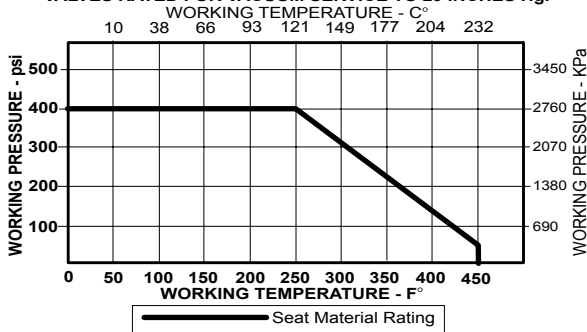
*Not intended for use in potable water.

MATERIALS LIST

ITEM	PART	MATERIALS	ASTM SPEC.
1	BODY	BRASS	ASTM B283
2	TAILPIECE	BRASS	ASTM B283
3	BALL	BRASS	ASTM B283
4	SEAT	PTFE	
5	STEM	BRASS	ASTM B124
6	THRUST WASHER	PTFE	
7	PACKING RING	PTFE	
8	GLAND NUT	BRASS	ASTM B124
9	HANDLE	CARBON STEEL	
10	HANDLE NUT	CARBON STEEL	

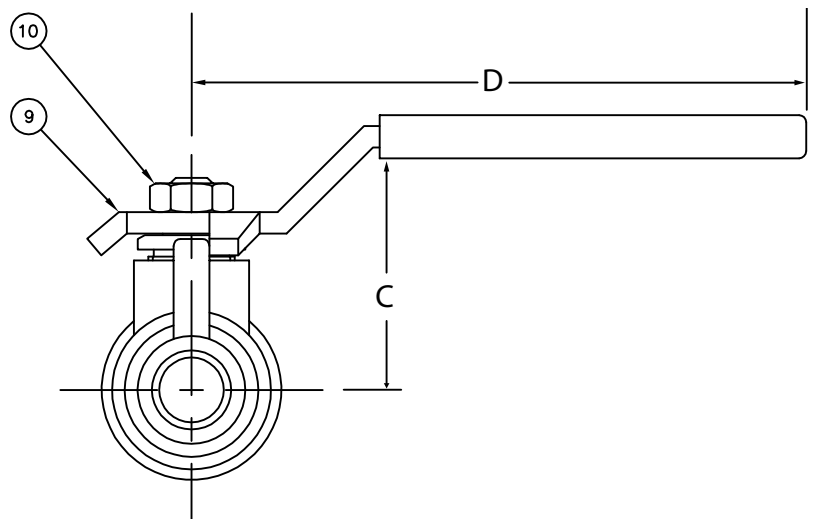
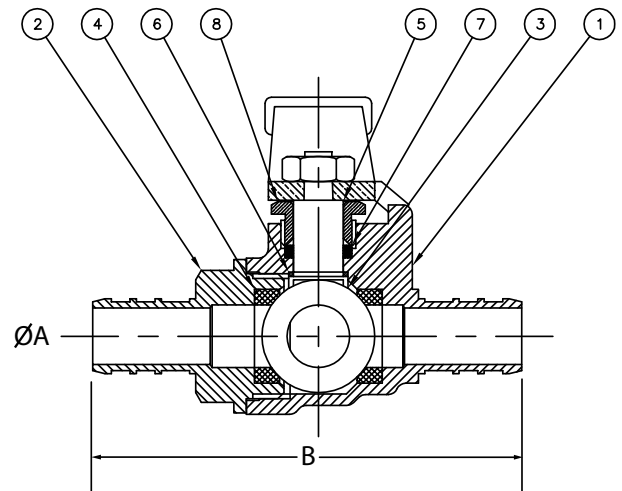
PRESSURE - TEMPERATURE DATA

VALVES RATED FOR VACUUM SERVICE TO 29 INCHES Hg.



DIMENSIONS

	UNITS	A	B	C	D
1/2	INCHES	0.35	2.7	1.5	3.37
	mm	9	69	38	86
3/4	INCHES	0.54	2.87	1.64	3.36
	mm	14	73	42	85



The information presented on this sheet is correct at time of publication. Hammond Valve reserves the right to change design and/or materials without notice. For our Installation, Operation and Maintenance Manual and the most current product information go to www.hammondvalve.com. Hammond Valve is a registered trademark of Milwaukee Valve.

⚠ State of California Prop 65 **WARNING:** Cancer and Reproductive Harm. For more information visit www.p65warnings.ca.gov.