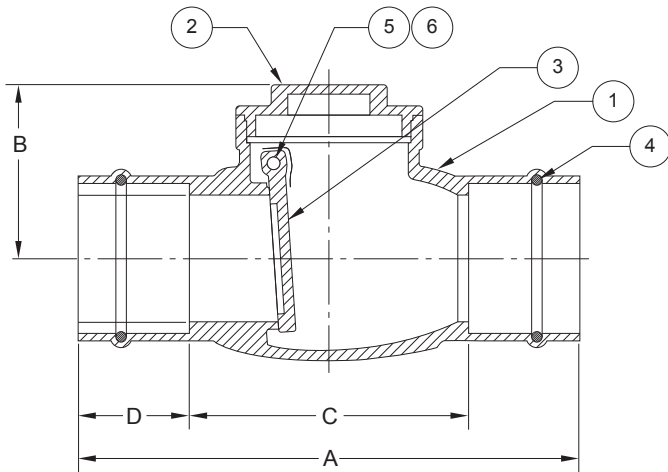


969* 1/2"-2"

ULTRAPRESS®

Brass Check Valve
200 psig @ 250°F†
Horizontal Swing, Press Ends



| MATERIAL LIST | | | |
|---------------|-----------|-----------|-------------------|
| No. | PART | MATERIAL | SPECIFICATION |
| 1 | Body | Brass | ASTM B283, C37700 |
| 2 | Cap | Brass | ASTM B283, C37700 |
| 3 | Disc | Brass | ASTM B283, C37700 |
| 4 | O-Ring | EPDM | D2000 NSF61 |
| 5 | Pin | St. Steel | ASTM A276 TY. 304 |
| 6 | Side Plug | Brass | ASTM B124, C37700 |

* Ultra Press Valves are designed and qualified for use in copper tubing systems only, Types K, L, & M per ASTM B88. For installation instructions please see engineering section on website.

Note: Not intended for use in potable water.

| DIMENSIONS - INCHES/MILLIMETERS | | | | | | |
|---------------------------------|-------|-------------|------------|-------------|------------|-----|
| Units | Size | A | B | C | D | Cv |
| Inches mm | 1/2 | 3.35 85 | 1.38 35 | 1.7 43 | 0.83 21 | 10 |
| Inches mm | 3/4 | 3.74 95 | 1.43 36 | 1.75 45 | 0.99 25 | 18 |
| Inches mm | 1 | 4.36 111 | 1.74 44 | 2.38 61 | 0.99 25 | 31 |
| Inches mm | 1 1/4 | 4.97 126 | 1.99 51 | 2.92 74 | 1.02 26 | 54 |
| Inches mm | 1 1/2 | 6.13 156 | 2.28 58 | 3.3 84 | 1.42 36 | 76 |
| Inches mm | 2 | 7.16 182 | 2.48 63 | 3.99 101 | 1.59 40 | 131 |

The information presented on this sheet is correct at time of publication. Hammond Valve reserves the right to change design and/or materials without notice. For our Installation, Operation and Maintenance Manual and the most current product information go to www.hammondvalve.com. Hammond Valve is a registered trademark of Milwaukee Valve.

⚠ State of California Prop 65 **WARNING:** Cancer and Reproductive Harm. For more information visit www.p65warnings.ca.gov