

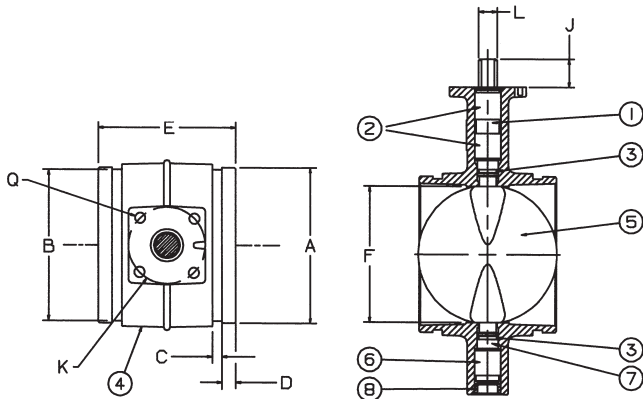


UPGG-245E/345E 2"-10"

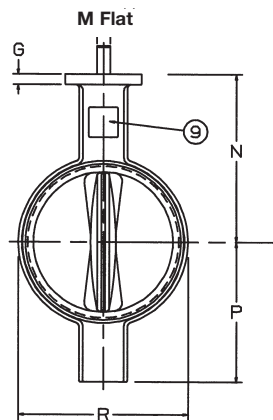
Polyamide Coated Ductile Iron Grooved End Butterfly, 300 psi Grooved Mechanical Style, Maximum Temperature Rating of 200° F Extended Neck, Elastomer Encapsulated Disc Grooved End Compatible with IPS Pipe Specifications: MSS SP-67



NSF/ANSI 61
NSF/ANSI 372



UPGG-245E



NOT RECOMMENDED FOR STEAM SERVICE

DIMENSIONS

	VALVE SIZE								
	INCHES DN	2	2 1/2	3	4	5	6	8	10
A	INCHES	2.38	2.88	3.50	4.50	5.56	6.63	8.63	10.75
	mm	60	73	89	114	141	168	219	273
B	INCHES	2.32	2.72	3.34	4.33	5.39	6.45	8.44	10.56
	mm	59	69	85	110	137	164	214	268
C	INCHES	.33	.31	.31	.38	.38	.38	.44	.50
	mm	8	8	8	10	10	10	11	13
D	INCHES	.63	.63	.63	.63	.63	.63	.75	.75
	mm	16	16	16	16	16	16	19	19
E	INCHES	3.33	3.85	3.85	4.56	5.86	5.86	5.26	6.29
	mm	85	98	98	116	149	149	134	160
F	INCHES	2.42	2.42	2.86	3.84	4.79	5.73	7.71	9.56
	mm	61	61	73	98	122	146	196	243
J	INCHES	1.31	1.22	1.18	1.24	1.24	1.29	1.32	1.38
	mm	33	31	30	32	32	33	34	35
L	INCHES	.50	.50	.50	.66	.66	.78	.78	1.06
	mm	13	13	13	17	17	20	20	27
M	INCHES	.37	.37	.37	.50	.50	.56	.56	.75
	mm	9	9	9	13	13	14	14	19
N	INCHES	4.00	4.19	4.44	5.33	5.83	7.11	8.05	9.86
	mm	102	106	113	135	148	181	204	250
P	INCHES	3.14	3.25	3.54	4.35	4.84	5.93	6.87	9.17
	mm	80	83	90	111	123	151	175	233
R	INCHES	2.89	3.46	3.97	5.03	6.27	7.25	9.25	11.25
	mm	73	88	101	128	159	184	235	286

UPGG-245E - Lever Operator
UPGG-345E - Gear Operator

MATERIALS LIST

ITEM	PART	MATERIALS	MATERIALS
1	UPPER STEM	STAINLESS STEEL	ASTM A582 TYPE 416
2	UPPER BEARING	SPLIT METAL	-
3	O-RING	EPDM	-
4	BODY	DUCTILE IRON	ASTM A395 W/POLYAMIDE COATING
5	DISC	DUCTILE IRON	ASTM A395 W/EPDM
6	LOWER BEARING	SPLIT METAL	-
7	LOWER STEM	STAINLESS STEEL	ASTM A582 TYPE 416
8	DUST PLUG	PVC	-
9	NAME PLATE	ALUMINUM	-

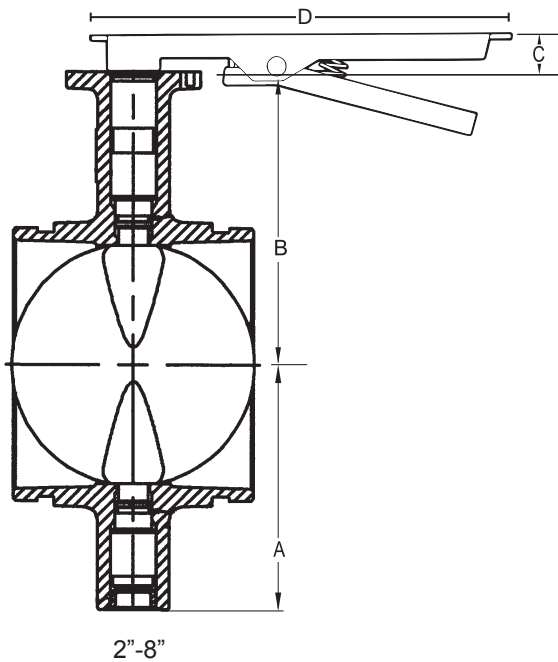
Note: The wetted surface of this product (In any material combination.) contacted by consumable water contains less than one quarter of one percent (.25%) of lead by weight.

The information presented on this sheet is correct at time of publication. Hammond Valve reserves the right to change design and/or materials without notice. For our Installation, Operation and Maintenance Manual and the most current product information go to www.hammondvalve.com. Hammond Valve is a registered trademark of Milwaukee Valve.

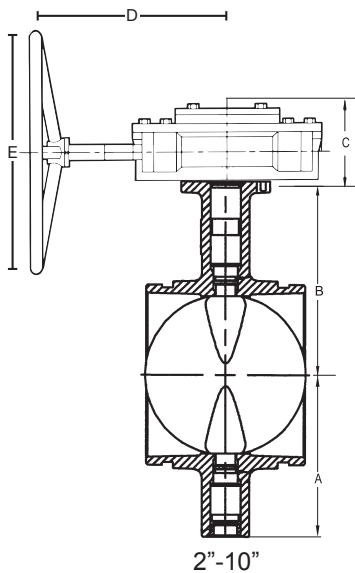
⚠ State of California Prop 65 **WARNING:** Cancer and Reproductive Harm. For more information visit www.p65warnings.ca.gov.



Butterfly Height With Lever or Gear Operator Grooved Style



Grooved Butterfly with Lever Handle						
Size		A	B	C	D	Height
2	INCHES	3.14	4	1	6.19	8.14
2 1/2	INCHES	3.25	4.19	1	6.19	8.44
3	INCHES	3.54	4.44	1	6.19	8.98
4	INCHES	4.35	5.33	1	6.19	10.68
5	INCHES	4.84	5.83	1	6.19	11.67
6	INCHES	5.93	7.11	1	6.19	14.04
8	INCHES	6.87	8.05	1	6.19	15.92



Grooved Butterfly with Gear Operator							
Size		A	B	C	D	E	Height
2	INCHES	3.14	4	2.79	7.84	5.91	9.93
2 1/2	INCHES	3.25	4.19	2.79	7.84	5.91	10.23
3	INCHES	3.54	4.44	2.79	7.84	5.91	10.77
4	INCHES	4.35	5.33	2.79	7.84	5.91	12.47
5	INCHES	4.84	5.83	2.79	7.84	5.91	13.46
6	INCHES	5.93	7.11	2.79	7.84	5.91	15.83
8	INCHES	6.87	8.05	2.79	9.53	9.84	17.71
10	INCHES	9.17	9.86	3.26	11.54	9.84	22.29

The information presented on this sheet is correct at time of publication. Hammond Valve reserves the right to change design and/or materials without notice. For our Installation, Operation and Maintenance Manual and the most current product information go to www.hammondvalve.com. Hammond Valve is a registered trademark of Milwaukee Valve.

⚠ State of California Prop 65 **WARNING:** Cancer and Reproductive Harm. For more information visit www.p65warnings.ca.gov.