

# BUTTERFLY FEATURES & OPTIONS

## STANDARD FEATURES

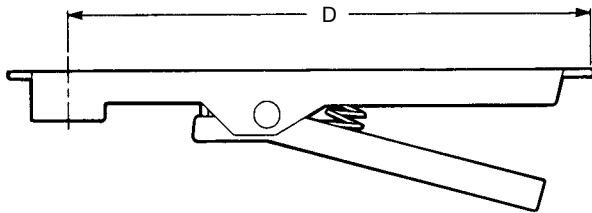
HEAVY DUTY DESIGN  
 PHENOLIC CARTRIDGE DESIGN  
 LOW TORQUE LINER  
 BUBBLE TIGHT SHUT OFF  
 LOW TORQUE POLYMER BEARING STD  
 DEAD END SERVICE (LUG ONLY)  
 FIELD REPAIRABLE

EXTENDED NECK BODY  
 LOW PROFILE DISC  
 BLOWOUT PROOF STEMS  
 STAINLESS STEEL STEMS (416)  
 BI-DIRECTIONAL SHUT OFF (EXCEPT AS NOTED)  
 VACUUM RATINGS TO 29" OF MERCURY

## OPERATORS

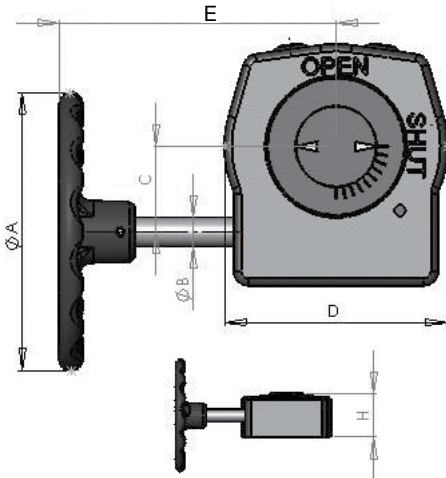
### MANUAL

10 POSITION, PAD LOCKABLE, DUCTILE IRON LEVER HANDLE –STD, EPOXY COATING OPTIONAL.



VALVE SIZE	PART NUMBER	T-DIMENSION (inches)
2, 2-1/2, 3	84016-LL	9.50
4, 5	84016-RL	11.00
6	84016-SL	11.00
8	84016-UL	15.00
10, 12	84016-WL	15.00

WEATHER RESISTENT GEAR OPERATOR, CAST IRON, MEMORY STOP AND LOCKING DEVICE OPTIONAL.



VALVE SIZE	PART NUMBER	GEAR RATIO	ØA	ØB	C	D	E	H
2-3	8115-24N-L	24:1	6.00	0.63	1.80	4.20	8.80	2.30
4-5	8115-24N-R	24:1	6.00	0.63	1.80	4.20	8.80	2.30
6	8115-24N-S	24:1	6.00	0.63	1.80	4.20	8.80	2.30
8	8115-30N-U	30:1	9.00	0.75	2.60	6.03	8.50	3.23
10-12	8115-30N-W	30:1	9.00	0.75	2.60	6.03	8.50	3.23
14-16	8115-48N-16	50:1	12.00	0.75	3.10	6.97	13.40	3.46
18-20	8115-65N-20	80:1	12.00	1.00	4.93	10.30	12.60	4.63
24	8115-78N-24	120:1	16.00	1.00	4.93	10.30	12.60	6.00

## ACTUATORS

PNEUMATIC OPERATORS  
 DOUBLE ACTING OPERATORS  
 SPRING-RETURN ACTUATORS  
 SOLENOID VALVES  
 ACTUATOR BRACKETS  
 LIMIT SWITCHES  
 VALVE POSITIONERS

120 VOLT AC AND DC VOLTAGES  
 NEMA 4 AND 7 HOUSING  
 4-20 mA DC VALVE POSITIONERS  
 ACTUATOR BRACKETS  
 EXTRA LIMIT SWITCHES  
 ELECTRIC ACTUATORS

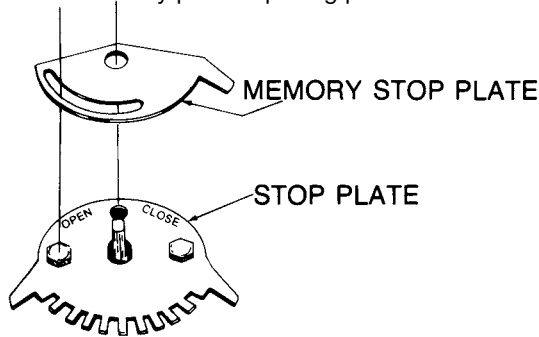
The information presented on this sheet is correct at time of publication. Hammond Valve reserves the right to change design and/or materials without notice. For our Installation, Operation and Maintenance Manual and the most current product information go to [www.hammondvalve.com](http://www.hammondvalve.com). Hammond Valve is a registered trademark of Milwaukee Valve.

⚠ State of California Prop 65 **WARNING:** Cancer and Reproductive Harm. For more information visit [www.p65warnings.ca.gov](http://www.p65warnings.ca.gov).

# OPTIONS & ACCESSORIES

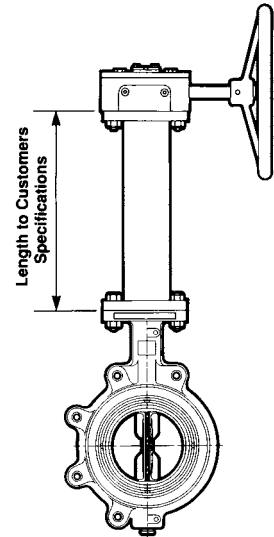
## MEMORY STOP

The Memory Stop provides an adjustable stop when the valve is used in a balancing application. The Memory Stop can be set to any preset opening point.



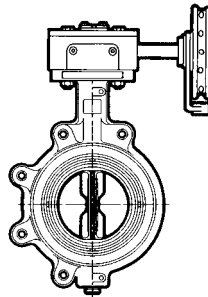
## STEM EXTENSION

Provides means of operation at a required distance away from the valve body. Manual or automatic, actuators are easily adapted to mounting flange on the extension. To order, specify distance from valve mounting-flange to base of operator.



## CHAINWHEEL

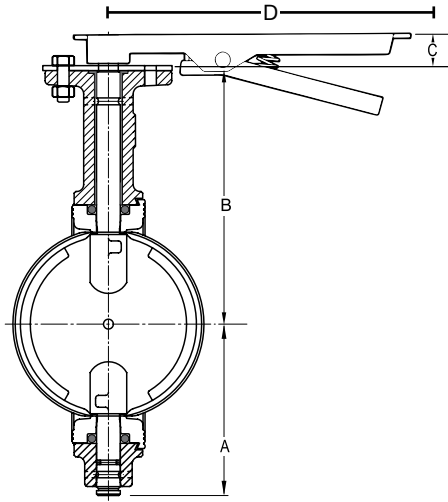
The chain wheel provides for remote operation of the valve in high, normally out-of-reach locations. Attaches to the gear operator easily for quick valve open/close response. Sprocket rim is aluminum; chain is steel. Specify the handwheel diameter ("A" dimension) and chain length. Chainwheel sold separately.



The information presented on this sheet is correct at time of publication. Hammond Valve reserves the right to change design and/or materials without notice. For our Installation, Operation and Maintenance Manual and the most current product information go to [www.hammondvalve.com](http://www.hammondvalve.com). Hammond Valve is a registered trademark of Milwaukee Valve.

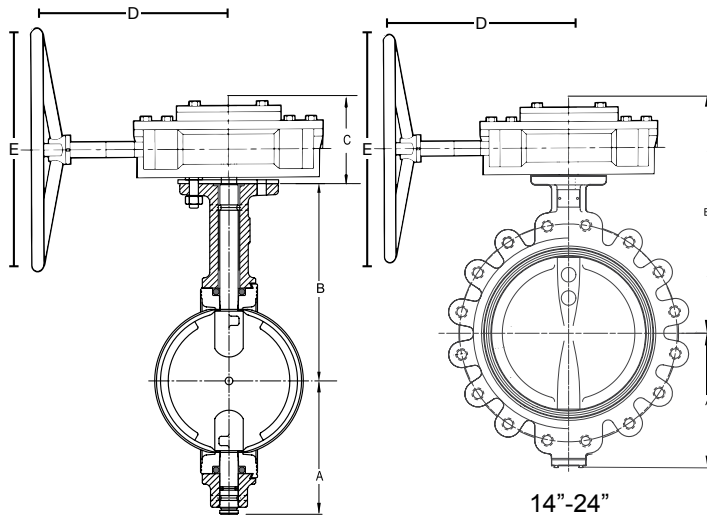
⚠ State of California Prop 65 **WARNING:** Cancer and Reproductive Harm. For more information visit [www.p65warnings.ca.gov](http://www.p65warnings.ca.gov).

# Butterfly Height With Lever or Gear Operator Wafer and Lug Styles



2"-12"

Butterfly with Lever Handle						
Size		A	B	C	D	Height
2"	INCHES	3.06	5.50	1.13	9.50	9.69
2 1/2"	INCHES	3.31	6.00	1.13	9.50	10.44
3"	INCHES	3.75	6.25	1.13	9.50	11.13
4"	INCHES	4.25	7.00	1.13	11.00	12.38
5"	INCHES	4.94	7.53	1.13	11.00	13.60
6"	INCHES	5.56	8.00	1.13	11.00	14.69
8"	INCHES	5.56	9.38	1.50	15.00	16.44
10"	INCHES	7.88	10.56	1.50	15.00	19.94
12"	INCHES	9.25	12.06	1.50	15.00	22.81



2"-12"

14"-24"

Butterfly with Gear Operator							
Size		A	B	C	D	E	Height
2"	INCHES	3.06	5.50	2.30	8.80	6.00	10.86
2 1/2"	INCHES	3.31	6.00	2.30	8.80	6.00	11.61
3"	INCHES	3.75	6.25	2.30	8.80	6.00	12.30
4"	INCHES	4.25	7.00	2.30	8.80	6.00	13.55
5"	INCHES	4.94	7.53	2.30	8.80	6.00	14.77
6"	INCHES	5.56	8.00	2.30	8.80	6.00	15.86
8"	INCHES	5.56	9.38	3.23	8.50	9.00	18.17
10"	INCHES	7.88	10.56	3.23	8.50	9.00	21.67
12"	INCHES	9.25	12.06	3.23	8.50	9.00	24.54
14"	INCHES	11.56	17.25	-	13.40	12.00	28.81
16"	INCHES	12.69	18.75	-	13.40	12.00	31.44
18"	INCHES	13.63	19.63	-	12.60	12.00	33.26
20"	INCHES	15.13	20.88	-	12.60	12.00	36.01
24"	INCHES	18.06	25.00	-	12.60	16.00	43.06

**Note:** 30"-48" Please see specification sheet.

The information presented on this sheet is correct at time of publication. Hammond Valve reserves the right to change design and/or materials without notice. For our Installation, Operation and Maintenance Manual and the most current product information go to [www.hammondvalve.com](http://www.hammondvalve.com). Hammond Valve is a registered trademark of Milwaukee Valve.

⚠ State of California Prop 65 **WARNING:** Cancer and Reproductive Harm. For more information visit [www.p65warnings.ca.gov](http://www.p65warnings.ca.gov).