

GG-SCS2 2 1/2"-10"



NSF/ANSI 61
NSF/ANSI 372

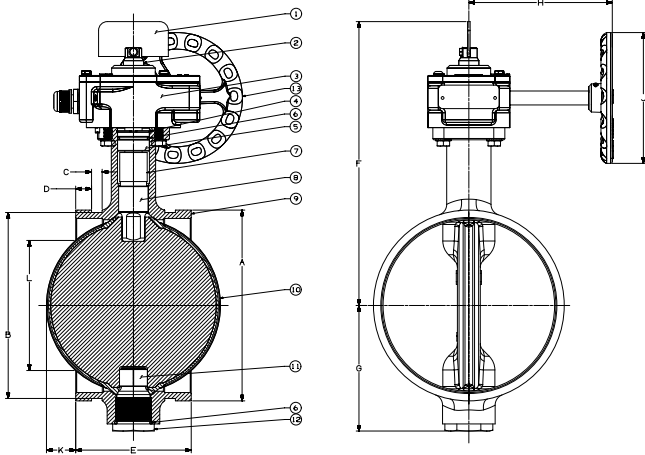
**Nylon Coated Ductile Iron Grooved End Butterfly, 300 psi
Grooved Mechanical Style
Extended Neck, Elastomer Encapsulated Disc
Accepts Internal Supervisory Switches
Grooved End Compatible with IPS Pipe
UL/FM Rating**



GG-SCS2

Grooved

2 1/2", 3", 4", 6", 8", 10"



DIMENSIONS

	VALVE SIZE						
	INCHES DN	2 1/2	3	4	6	8	10
A	INCHES	2.88	3.50	4.50	6.63	8.63	10.77
	mm	73	89	114	168	219	274
B	INCHES	2.72	3.34	4.33	6.45	8.44	10.55
	mm	69	85	110	164	214	268
C	INCHES	.31	.31	.38	.38	.44	.50
	mm	8	8	10	10	11	13
D	INCHES	.63	.63	.63	.63	.75	.75
	mm	16	16	16	16	19	19
E	INCHES	3.81	3.81	4.56	5.81	5.25	6.25
	mm	97	97	116	148	133	159
F	INCHES	8.95	9.16	10	11.92	12.85	15
	mm	227	233	254	303	326	381
G	INCHES	2.20	2.47	3.00	4.33	5.67	6.77
	mm	56	63	76.2	110	144	172
H	INCHES	4.92	4.92	4.92	6.48	6.48	8.74
	mm	125	125	125	165	165	222
J	INCHES	4.25	4.25	4.25	6	6	6
	mm	108	108	108	152	152	152
K	INCHES	-	-	-	-	1.32	1.74
	mm	-	-	-	-	34	44
L	INCHES	-	-	-	-	5.87	7.44
	mm	-	-	-	-	149	189

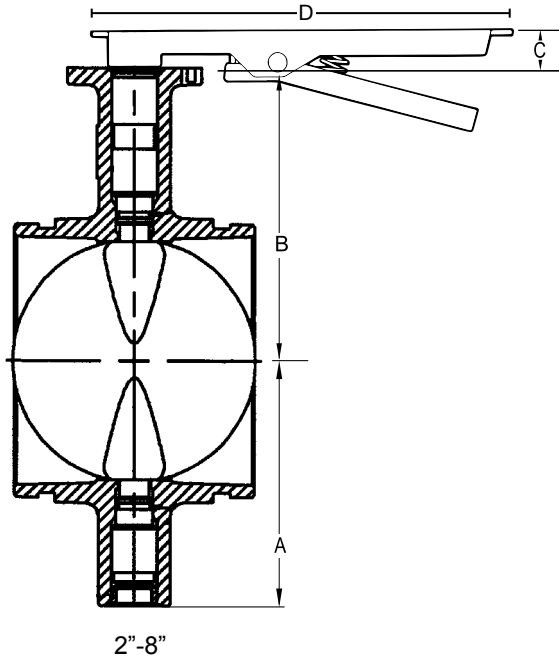
MATERIALS LIST

ITEM	PART	MATERIALS	MATERIALS
1	INDICATOR FLAG	PAINTED STEEL	-
2	STEM ADAPTER	STEEL	-
3	GEAR OPERATOR	CAST IRON AND STEEL	-
4	RETAINING RING	CARBON STEEL	-
5	CARTRIDGE SEAL	BRASS	ASTM C36000
6	STEM STEALS	EPDM	-
7	UPPER STEM	STAINLESS STEEL	ASTM A582 TYPE 416
8	UPPER BUSHING	PLATED STEEL WITH PTFE LINING	-
9	BODY	DUCTILE IRON	ASTM A395 WITH POLYAMINDE COATING
10	DISC	DUCTILE IRON	ASTM A536 WITH EPDM ENCAPSULATION
11	LOWER BUSHING	STEEL WITH PTFE LINING	-
12	LOWER STEM	STAINLESS STEEL	ASTM A582 TYPE 416
13	HANDWHEEL	CAST IRON	-

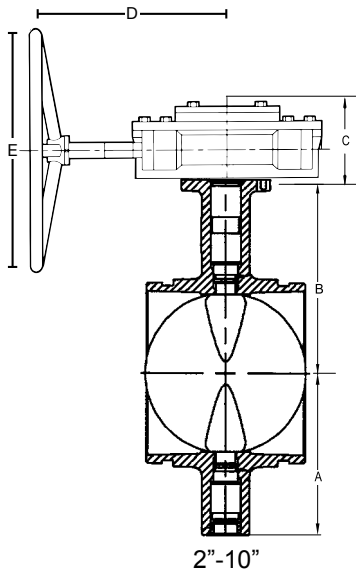
The information presented on this sheet is correct at time of publication. Hammond Valve reserves the right to change design and/or materials without notice. For our Installation, Operation and Maintenance Manual and the most current product information go to www.hammondvalve.com. Hammond Valve is a registered trademark of Milwaukee Valve.

⚠ State of California Prop 65 **WARNING:** Cancer and Reproductive Harm. For more information visit www.p65warnings.ca.gov.

Butterfly Height With Lever or Gear Operator Grooved Style



Grooved Butterfly with Lever Handle						
Size		A	B	C	D	Height
2	INCHES	3.14	4	1	6.19	8.14
2 1/2	INCHES	3.25	4.19	1	6.19	8.44
3	INCHES	3.54	4.44	1	6.19	8.98
4	INCHES	4.35	5.33	1	6.19	10.68
5	INCHES	4.84	5.83	1	6.19	11.67
6	INCHES	5.93	7.11	1	6.19	14.04
8	INCHES	6.87	8.05	1	6.19	15.92



Grooved Butterfly with Gear Operator							
Size		A	B	C	D	E	Height
2	INCHES	3.14	4	2.79	7.84	5.91	9.93
2 1/2	INCHES	3.25	4.19	2.79	7.84	5.91	10.23
3	INCHES	3.54	4.44	2.79	7.84	5.91	10.77
4	INCHES	4.35	5.33	2.79	7.84	5.91	12.47
5	INCHES	4.84	5.83	2.79	7.84	5.91	13.46
6	INCHES	5.93	7.11	2.79	7.84	5.91	15.83
8	INCHES	6.87	8.05	2.79	9.53	9.84	17.71
10	INCHES	9.17	9.86	3.26	11.54	9.84	22.29

The information presented on this sheet is correct at time of publication. Hammond Valve reserves the right to change design and/or materials without notice. For our Installation, Operation and Maintenance Manual and the most current product information go to www.hammondvalve.com. Hammond Valve is a registered trademark of Milwaukee Valve.

⚠ State of California Prop 65 **WARNING:** Cancer and Reproductive Harm. For more information visit www.p65warnings.ca.gov.