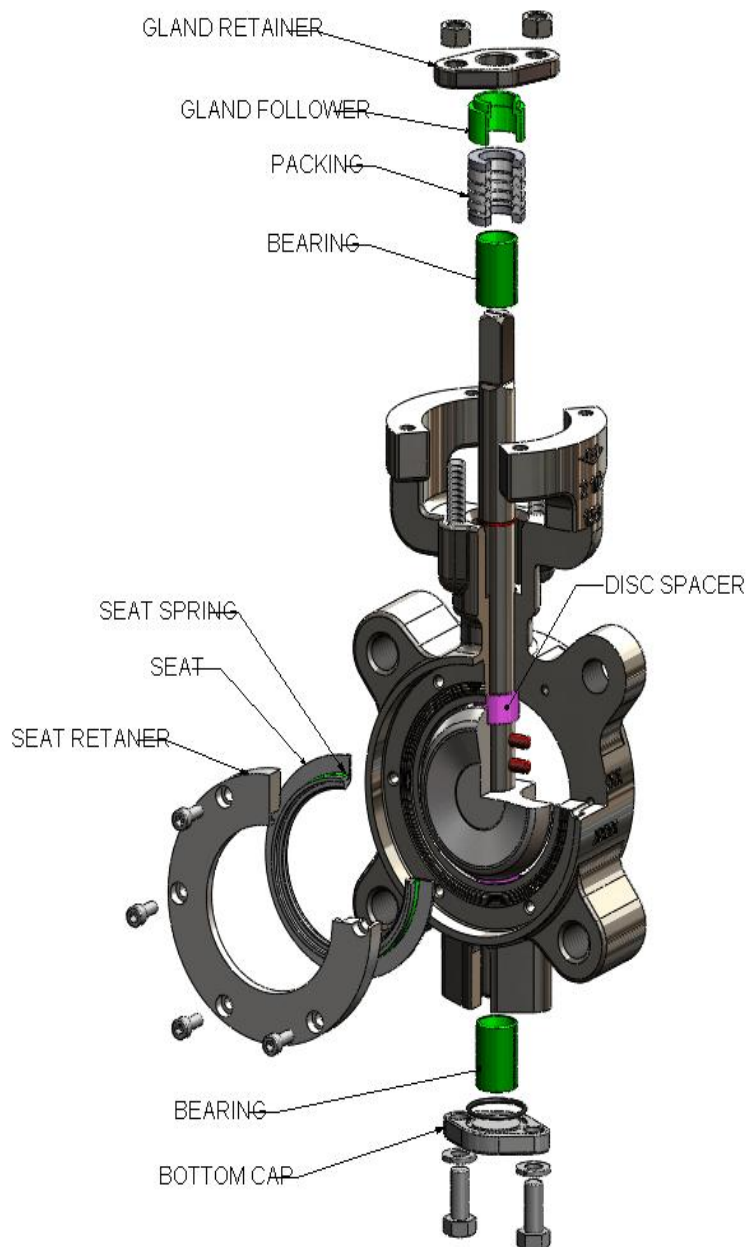


Seat Replacement of **Hammond Valve's** **High Performance Butterfly Valve**



INSTRUCTIONS TO REPLACE SEAT:

1. Remove valve from line and flush of media
2. Remove the socket head cap screws
3. Remove the seat retainer from valve face
4. Seat and spring should be attached to seat retainer.
5. Remove the seat and spring assembly from retainer
6. Clean the retainer groove and valve body face of any debris
7. Place spring around the seat groove and snap into the retainer as shown.
8. Place seat retainer assembly back into valve and align bolt holes
9. Replace and secure cap screws.

