

BUTTERFLY FEATURES & OPTIONS

STANDARD FEATURES

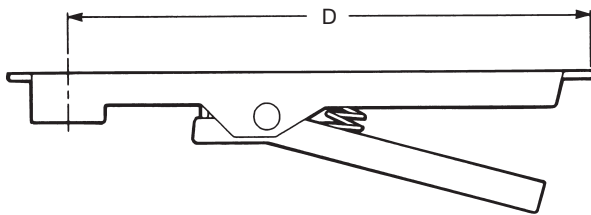
HEAVY DUTY DESIGN
 PHENOLIC CARTRIDGE DESIGN
 LOW TORQUE LINER
 BUBBLE TIGHT SHUT OFF
 LOW TORQUE POLYMER BEARING STD
 DEAD END SERVICE (LUG ONLY)
 FIELD REPAIRABLE

EXTENDED NECK BODY
 LOW PROFILE DISC
 BLOWOUT PROOF STEMS
 STAINLESS STEEL STEMS (416)
 BI-DIRECTIONAL SHUT OFF (EXCEPT AS NOTED)
 VACUUM RATINGS TO 29" OF MERCURY

OPERATORS

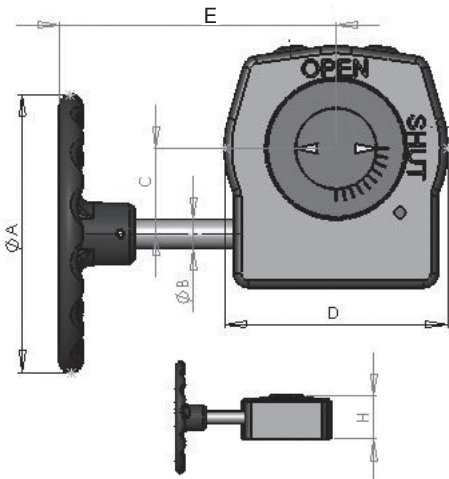
MANUAL

10 POSITION, PAD LOCKABLE, DUCTILE IRON LEVER HANDLE –STD, EPOXY COATING OPTIONAL.



VALVE SIZE	PART NUMBER	D-DIMENSION (inches)
2, 2-1/2, 3	84016-LL	9.00
4, 5	84016-RL	11.00
6	84016-SL	11.00
8	84016-UL	15.00
10, 12	84016-WL	15.00

WEATHER RESISTENT GEAR OPERATOR, CAST IRON, MEMORY STOP AND LOCKING DEVICE OPTIONAL.



VALVE SIZE	PART NUMBER	GEAR RATIO	ØA	ØB	C	D	E	H
2-3	8115-24N-L	24:1	6.00	0.63	1.80	4.20	8.80	2.30
4-5	8115-24N-R	24:1	6.00	0.63	1.80	4.20	8.80	2.30
6	8115-24N-S	24:1	6.00	0.63	1.80	4.20	8.80	2.30
8	8115-30N-U	30:1	9.00	0.75	2.60	6.03	8.50	3.23
10-12	8115-30N-W	30:1	9.00	0.75	2.60	6.03	8.50	3.23
14-16	8115-48N-16	50:1	12.00	0.75	3.10	6.97	13.40	3.46
18-20	8115-65N-20	80:1	12.00	1.00	4.93	10.30	12.60	4.63
24	8115-78N-24	120:1	16.00	1.00	4.93	10.30	12.60	6.00

ACTUATORS

PNEUMATIC ACTUATORS
 DOUBLE ACTING ACTUATORS
 SPRING-RETURN ACTUATORS
 SOLENOID VALVES
 LIMIT SWITCHES
 VALVE POSITIONERS

120 VOLT AC AND DC VOLTAGES
 NEMA 4 AND 7 HOUSING
 4-20 mADC VALVE POSITIONERS
 ACTUATOR BRACKETS
 EXTRA LIMIT SWITCHES
 ELECTRIC ACTUATORS

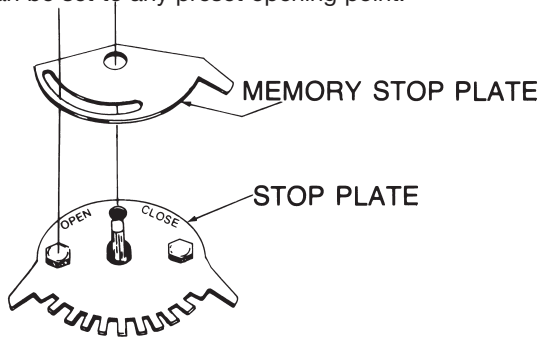
The information presented on this sheet is correct at time of publication. Hammond Valve reserves the right to change design and/or materials without notice. For our Installation, Operation and Maintenance Manual and the most current product information go to www.hammondvalve.com. Hammond Valve is a registered trademark of Milwaukee Valve.

⚠ State of California Prop 65 **WARNING:** Cancer and Reproductive Harm. For more information visit www.p65warnings.ca.gov.

OPTIONS & ACCESSORIES

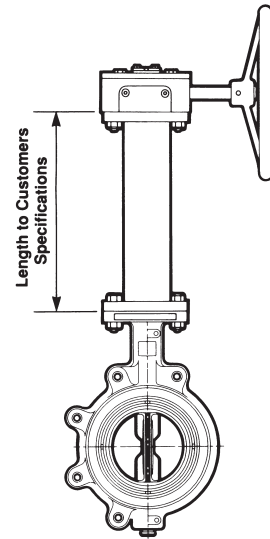
MEMORY STOP

The Memory Stop provides an adjustable stop when the valve is used in a balancing application. The Memory Stop can be set to any preset opening point.



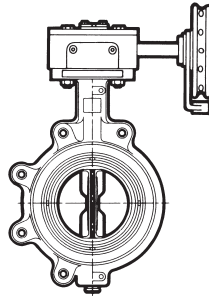
STEM EXTENSION

Provides means of operation at a required distance away from the valve body. Manual or automatic, actuators are easily adapted to mounting flange on the extension. To order, specify distance from valve mounting-flange to base of operator.



CHAINWHEEL

The chain wheel provides for remote operation of the valve in high, normally out-of-reach locations. Attaches to the gear operator easily for quick valve open/close response. Sprocket rim is aluminum; chain is steel. Specify the handwheel diameter ("A" dimension) and chain length. Chain sold separately.



"5000" and "6000" SERIES BUTTERFLY VALVE CHAINWHEEL GUIDE				
VALVE SIZE	HANDWHEEL SIZE (INCHES)	CHAINWHEEL NUMBER	CHAIN SIZE	MASTERLINK
2	6	ARG 1.5	R1-0-C-746	R1-0-ML-746
2.5	6	ARG 1.5	R1-0-C-746	R1-0-ML-746
3	6	ARG 1.5	R1-0-C-746	R1-0-ML-746
4	6	ARG 1.5	R1-0-C-746	R1-0-ML-746
5	6	ARG 1.5	R1-0-C-746	R1-0-ML-746
6	6	ARG 1.5	R1-0-C-746	R1-0-ML-746
8	9	ARG 2.0	R1-0-C-746	R1-0-ML-746
10	9	ARG 2.0	R1-0-C-746	R1-0-ML-746
12	9	ARG 2.0	R1-0-C-746	R1-0-ML-746
14	12	ARG 2.5	R4-0-C-746	R4-0-ML-746
16	12	ARG 2.5	R4-0-C-746	R4-0-ML-746
18	12	ARG 2.5	R4-0-C-746	R4-0-ML-746
20	12	ARG 2.5	R4-0-C-746	R4-0-ML-746
24	16	ARG 3.5	R4-0-C-746	R4-0-ML-746
30	15	ARG 3.5	R4-0-C-746	R4-0-ML-746
36	15	ARG 3.5	R4-0-C-746	R4-0-ML-746
42	15	ARG 3.5	R4-0-C-746	R4-0-ML-746
48	17.5	ARG 3.5	R4-0-C-746	R4-0-ML-746

The information presented on this sheet is correct at time of publication. Hammond Valve reserves the right to change design and/or materials without notice. For our Installation, Operation and Maintenance Manual and the most current product information go to www.hammondvalve.com. Hammond Valve is a registered trademark of Milwaukee Valve.

⚠ State of California Prop 65 **WARNING:** Cancer and Reproductive Harm. For more information visit www.p65warnings.ca.gov.