

# Milwaukee Valve Cast Steel Gate, Globe, and Check Valves

## API 600 GATE VALVES

- Flexible split wedge for improved seating
- 2-bolt adjustable stem packing arrangement for longer packing life
- Grounded finish on stem for improved packing seal
- Outside Screw & Yoke rising stem design
- Seal-welded seat rings for stable shut-off
- Handwheel, bevel gear operator, or electric actuation available
- Size range 2" - 24" (CL 150/300), 2" - 12" (CL 600). Contact factory for additional sizes.

## API 623 GLOBE VALVES

- Rotating seat disc for improved seating
- Outside Screw & Yoke rising stem design
- Integral seat with body and disc overlay
- 2-bolt adjustable stem packing arrangement for longer packing life
- Size range 2" - 8" (CL 150/300), 2" - 6" (CL 600). Contact factory for additional sizes.

## API 594 SWING CHECK VALVES

- Horizontal full port design with bolted cover
- Pinned rotating disc for improved sealing
- Seal-welded seat rings for stable shut-off
- Size range 2" - 12" (CL 150/300/600). Contact factory for additional sizes.



## SPECIFICATIONS & STANDARDS

<b>Design</b>	API (as noted), ASME B16.34
<b>Flange Connections</b>	ASME B16.5
<b>Butt-Weld Connections</b>	ASME B16.25
<b>End-to-End Dimensions</b>	ASME B16.10
<b>Testing and Inspection</b>	API 598
<b>Pressure &amp; Temperature</b>	ASME B16.34
<b>By-Passes &amp; Drains</b>	MSS SP-45
<b>Materials</b>	ASTM standards

**Notes:**

1. Heat codes and MTR's provided for traceability of each valve.
2. Contact factory for optional trim materials or larger sizes.
3. Customer must specify pipe schedule for butt-weld ends.
4. Operating temperature range is -20 to 800°F per ASME B16.34.

## HOW TO ORDER MILWAUKEE VALVE CAST STEEL

**15 5 0 CB 2 HW M BP**

**Pressure Class:**  
15 = Class 150  
30 = Class 300  
60 = Class 600

**Type:**  
5 = Gate  
6 = Globe  
7 = Check

**Pipe Ends:**  
0 = Flanged  
2 = Butt-Weld (Std)  
3 = Butt-Weld (Extra Heavy)

**Body Material:**  
CB = A216 WCB

**Trim Material:**  
2 = API 8 (std)  
(Contact factory for all other trim options)

**Operator:**  
HW = Handwheel  
GB = Bevel Gear Operator  
SC = Swing Check (No Operator)  
(Contact factory for Actuation)

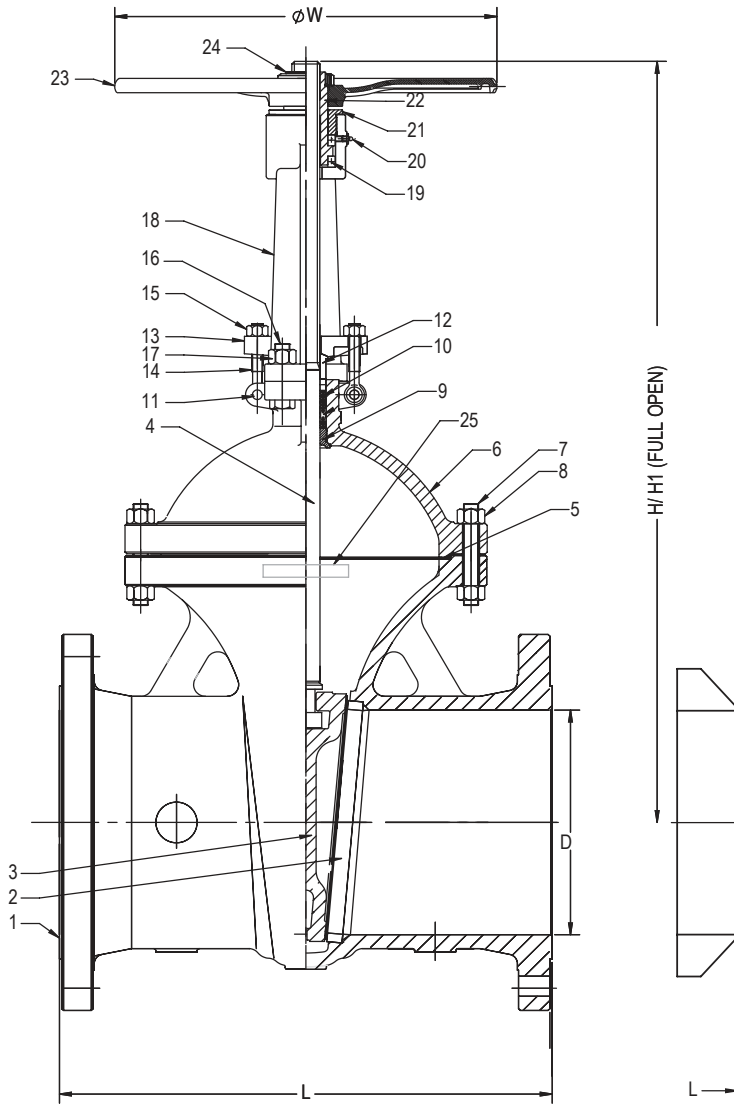
**Options:**  
(blank) = None  
BP = By-Pass  
DT = Drilled & Tapped

**Revision:**  
M = Designated Manufacturer

The information presented on this sheet is correct at time of publication. Milwaukee/Hammond Valve reserves the right to change design and/or materials without notice. For our Installation, Operation and Maintenance Manual and the most current product information go to [www.milwaukeevalve.com](http://www.milwaukeevalve.com) or [www.hammondvalve.com](http://www.hammondvalve.com). ⚠ State of California Prop 65 **WARNING:** Cancer and Reproductive Harm. For more information visit [www.p65warnings.ca.gov](http://www.p65warnings.ca.gov).



# 3050CB2M FLANGED ENDS 3052CB2M BUTT-WELD ENDS GATE CLASS 300 10"-14"



SPECIFICATIONS		
DESIGN: API 600 12th Edition, ASME B16.34		
PRESSURE-TEMP RATINGS: ASME B16.34		
CONNECTIONS: ASME B16.5, B16.25		
FACE TO FACE: ASME B16.10		
TEST & INSPECTION: API 598 RP 591		
MATERIALS: ASTM		
MATERIAL LIST		
ITEM	PART NAME	MATERIAL
1	BODY	A216 WCB
2	SEAT RING	A105+STL6
3	WEDGE	A216 WCB+13Cr
4	STEM	A182 F6a
5	GASKET	GRAPHITE+SS CORE
6	BONNET	A216 WCB
7	STUD BODY/BONNET	A193 B7
8	NUT BODY/BONNET	A194 2H
9	BACKSEAT BUSHING	A276 410
10	PACKING	GRAPHITE
11	GLAND EYEBOLT PIN	A29 1035
12	GLAND	A276 410
13	GLAND FLANGE	A216 WCB
14	GLAND EYEBOLT	A193 B7
15	GLAND EYEBOLT NUT	A194 2H
16	BOLT YOKE	A193 B7
17	NUT YOKE	A194 2H
18	YOKE	A216 WCB
19	THRUST BEARING	
20	GREASE FITTING	A36
21	YOKE BUSHING NUT	A439 D2
22	YOKE BUSHING	A29 1035
23	HANDWHEEL	A536
24	HANDWHEEL NUT	A29 1035
25	NAMEPLATE	A240 321

SIZE		L FACE TO FACE/BW	D DIA	H CLOSED	H1 FULL OPEN	W HAND WHEEL	C <sub>v</sub>
10"	IN	17.99	10.00	37.64	48.31	19.69	8940
	MM	457	254	956	1227	500	
12"	IN	19.76	12.01	42.83	55.63	22.05	13350
	MM	502	305	1088	1413	560	
14"	IN	30.00	13.27	47.91	62.05	25.20	16275
	MM	762	337	1217	1576	640	

The information presented on this sheet is correct at time of publication. Milwaukee/Hammond Valve reserves the right to change design and/or materials without notice. For our Installation, Operation and Maintenance Manual and the most current product information go to [www.milwaukeevalve.com](http://www.milwaukeevalve.com) or [www.hammondvalve.com](http://www.hammondvalve.com). ⚠ State of California Prop 65 **WARNING:** Cancer and Reproductive Harm. For more information visit [www.p65warnings.ca.gov](http://www.p65warnings.ca.gov).

