

Milwaukee Valve Cast Steel Gate, Globe, and Check Valves

API 600 GATE VALVES

- Flexible split wedge for improved seating
- 2-bolt adjustable stem packing arrangement for longer packing life
- Grounded finish on stem for improved packing seal
- Outside Screw & Yoke rising stem design
- Seal-welded seat rings for stable shut-off
- Handwheel, bevel gear operator, or electric actuation available
- Size range 2" - 24" (CL 150/300), 2" - 12" (CL 600). Contact factory for additional sizes.

API 623 GLOBE VALVES

- Rotating seat disc for improved seating
- Outside Screw & Yoke rising stem design
- Integral seat with body and disc overlay
- 2-bolt adjustable stem packing arrangement for longer packing life
- Size range 2" - 8" (CL 150/300), 2" - 6" (CL 600). Contact factory for additional sizes.

API 594 SWING CHECK VALVES

- Horizontal full port design with bolted cover
- Pinned rotating disc for improved sealing
- Seal-welded seat rings for stable shut-off
- Size range 2" - 12" (CL 150/300/600). Contact factory for additional sizes.



SPECIFICATIONS & STANDARDS

Design	API (as noted), ASME B16.34
Flange Connections	ASME B16.5
Butt-Weld Connections	ASME B16.25
End-to-End Dimensions	ASME B16.10
Testing and Inspection	API 598
Pressure & Temperature	ASME B16.34
By-Passes & Drains	MSS SP-45
Materials	ASTM standards

Notes:

1. Heat codes and MTR's provided for traceability of each valve.
2. Contact factory for optional trim materials or larger sizes.
3. Customer must specify pipe schedule for butt-weld ends.
4. Operating temperature range is -20 to 800°F per ASME B16.34.

HOW TO ORDER MILWAUKEE VALVE CAST STEEL

15 5 0 CB 2 HW M BP

Pressure Class:
15 = Class 150
30 = Class 300
60 = Class 600

Type:
5 = Gate
6 = Globe
7 = Check

Pipe Ends:
0 = Flanged
2 = Butt-Weld (Std)
3 = Butt-Weld (Extra Heavy)

Body Material:
CB = A216 WCB

Trim Material:
2 = API 8 (std)
(Contact factory for all other trim options)

Operator:
HW = Handwheel
GB = Bevel Gear Operator
SC = Swing Check (No Operator)
(Contact factory for Actuation)

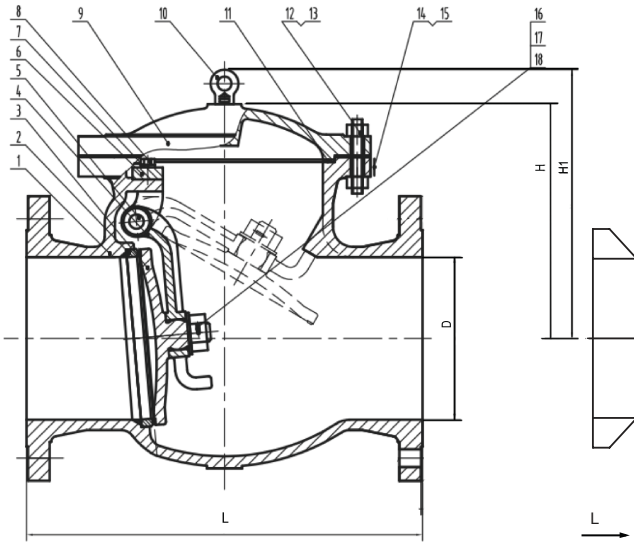
Options:
(blank) = None
BP = By-Pass
DT = Drilled & Tapped

Revision:
M = Designated Manufacturer

The information presented on this sheet is correct at time of publication. Milwaukee/Hammond Valve reserves the right to change design and/or materials without notice. For our Installation, Operation and Maintenance Manual and the most current product information go to www.milwaukeevalve.com or www.hammondvalve.com. ⚠ State of California Prop 65 **WARNING:** Cancer and Reproductive Harm. For more information visit www.p65warnings.ca.gov.



3070CB2M FLANGED ENDS 3072CB2M BUTT-WELD ENDS SWING CHECK CLASS 300 2"-12"



SPECIFICATIONS		
DESIGN: API 594, ASME B16.34		
PRESSURE-TEMP RATINGS: ASME B16.34		
CONNECTIONS: ASME B16.5, B16.25		
FACE TO FACE: ASME B16.10		
TEST & INSPECTION: API 598 RP 591		
MATERIALS: ASTM		
MATERIAL LIST		
NO.	PART NAME	MATERIAL
1	BODY	A216 WCB
2	SEAT RING	A105+STL6
3	DISC	A216 WCB+13Cr
4	DISC HINGE	A216 WCB
5	HINGE PIN	A276 410
6	HINGE SEAT	A216 WCB
7	WASHER	A276 316
8	STUD	A193 B8M
9	BONNET	A216 WCB
10	LIFTING BOLT	A29 1035
11	GASKET	GRAPHITE + SS CORE
12	STUD	A193 B7
13	NUT	A194 2H
14	NAMEPLATE	A240 321
15	RIVET	A276 321
16	CAGE NUT	A276 410
17	LOCK WASHER	A276 410
18	STEEL WIRE	A276 316

* Lifting Bolt on sizes 8"-12" only

SIZE		L FACE TO FACE/BW	D DIA	H	H1	C _v
2"	IN	10.51	2.01	6.22		154
	MM	267	51	158		
2.5"	IN	11.50	2.52	6.77		218
	MM	292	64	172		
3"	IN	12.52	2.99	7.48		282
	MM	318	76	190		
4"	IN	14.02	4.02	8.43		510
	MM	356	102	214		
5"	IN	15.75	5.00	9.09		837
	MM	400	127	231		
6"	IN	17.48	5.98	10.12		1233
	MM	444	152	257		
8"	IN	20.98	7.99		15.75	2262
	MM	533	203		400	
10"	IN	24.49	10.00		17.80	3539
	MM	622	254		452	
12"	IN	27.99	12.01		20.39	5292
	MM	711	305		518	

The information presented on this sheet is correct at time of publication. Milwaukee/Hammond Valve reserves the right to change design and/or materials without notice. For our Installation, Operation and Maintenance Manual and the most current product information go to www.milwaukeevalve.com or www.hammondvalve.com. ⚠ State of California Prop 65 **WARNING:** Cancer and Reproductive Harm. For more information visit www.p65warnings.ca.gov.

