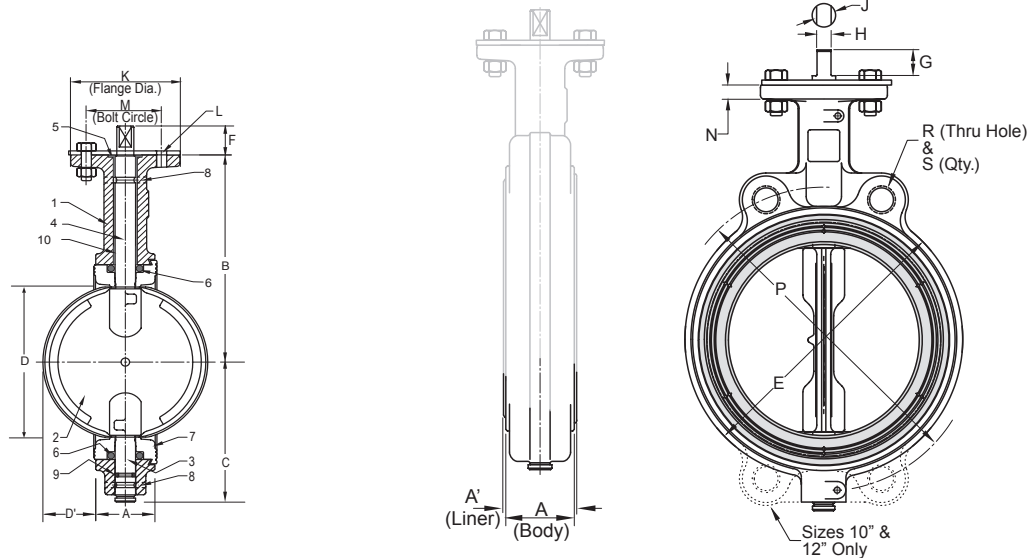


6100HP Series 2"-12"

Iron Butterfly Valve
 Wafer Style
 250 psi Non-Shock WOG
 Specifications: API-609 MSS SP-67 Type 1



MATERIALS LIST

ITEM	PART	MATERIALS
1	BODY	DUCTILE IRON ASTM A536
		DUCTILE IRON-EPOXY COATED
2	DISC	NP DUCTILE IRON ASTM A536
		ALUMINUM BRONZE ASTM B 148
3	BOTTOM STEM	STAINLESS STEEL TYPE 416
		STAINLESS STEEL TYPE 316 (1)
4	TOP STEM	STAINLESS STEEL TYPE 416
		STAINLESS STEEL TYPE 316 (1)
5	TOP BEARING	REINFORCED NYLON
6	SEAL	EPDM, BUNA, VITON
7	LINER	BUNA
		EPDM
		VITON
8	ROLL PIN	STAINLESS STEEL
9	STEM SEAL	EPDM, BUNA, VITON
10*	LOWER BEARING	REINFORCED NYLON
11	OPERATOR	LEVER HANDLE
		EPOXY COATED LEVER HANDLE
		GEAR OPERATOR
		GEAR OPERATOR WITH MEMORY STOP
		GEAR OPERATOR WITH LOCK
		ACTUATOR-AIR/AIR
ACTUATOR-AIR/SPRING		
		ACTUATOR-ELECTRIC

(1) - 316 STAINLESS STEEL USED WITH CF8M DISC.

DIMENSIONS

	INCHES DN	VALVE SIZE								
		2	2-1/2	3	4	5	6	8	10	12
A (Body)	INCHES	1.69	1.81	1.81	2.07	2.19	2.19	2.38	2.69	3.06
	mm	43	46	46	52	55	55	60	68	78
A ¹ (Liner)	INCHES	1.82	1.94	1.94	2.20	2.32	2.32	2.51	2.82	3.21
	mm	46	49	49	55	58	58	63	71	82
B	INCHES	5.50	6.00	6.25	7.00	7.53	8.00	9.38	10.56	12.06
	mm	139	152	158	177	191	203	238	268	306
C	INCHES	3.06	3.31	3.75	4.25	4.94	5.56	5.56	7.88	9.25
	mm	77	84	95	108	125	141	166	200	235
D (Chord Dia)	INCHES	1.49	2.01	2.64	3.67	4.71	5.66	7.72	9.70	11.68
	mm	37	51	67	93	119	143	196	246	296
D ¹ (Intrusion)	INCHES	0.28	0.44	0.69	1.06	1.50	1.94	2.84	3.69	4.50
	mm	7	11	17	27	38	49	72	93	114
E	INCHES	4.13	4.88	5.38	6.88	7.75	8.75	11.00	13.38	16.13
	mm	105	124	137	175	197	222	279	340	410
F	INCHES	1.13	1.13	1.13	1.13	1.13	1.13	1.50	1.50	1.50
	mm	28	28	28	28	28	28	38	38	38
G	INCHES	0.81	0.81	0.81	0.81	0.81	0.81	1.06	1.06	1.06
	mm	20	20	20	20	20	20	27	27	27
H	INCHES	0.35	0.35	0.35	0.40	0.40	0.44	0.53	0.71	0.71
	mm	8	8	8	10	10	11	13	18	18
J	INCHES	0.50	0.50	0.50	0.56	0.56	0.62	0.75	1.00	1.00
	mm	12	12	12	14	14	14	19	25	25
K		4	4	4	4	4	4	6	6	6
L (Dia)	INCHES	0.44	0.44	0.44	0.44	0.44	0.44	0.56	0.56	0.56
	mm	11	11	11	11	11	11	14	14	14
M	INCHES	3.25	3.25	3.25	3.25	3.25	3.25	5.00	5.00	5.00
	mm	82	82	82	82	82	82	127	127	127
N	INCHES	0.44	0.44	0.44	0.44	0.44	0.44	0.50	0.50	0.50
	mm	11	11	11	11	11	11	12	12	12
P	INCHES	4.75	5.50	6.00	7.50	8.50	9.50	11.75	14.25	17.00
	mm	120	139	152	190	215	241	298	362	431
R		5/8-11	5/8-11	5/8-11	5/8-11	3/4-10	3/4-10	3/4-10	7/8-9	7/8-9
S		2	2	2	2	2	2	2	4	4

Note: The wetted surface of this product (In any material combination.) contacted by consumable water contains less than one quarter of one percent (.25%) of lead by weight.

The information presented on this sheet is correct at time of publication. Hammond Valve reserves the right to change design and/or materials without notice. For our Installation, Operation and Maintenance Manual and the most current product information go to www.hammondvalve.com. Hammond Valve is a registered trademark of Milwaukee Valve.

⚠ State of California Prop 65 **WARNING:** Cancer and Reproductive Harm. For more information visit www.p65warnings.ca.gov.

6	2	1	1	01
SERIES	BODY DESCRIPTION / MATERIAL	DISC & STEM MATERIAL DESCRIPTION	LINER MATERIAL	OPTIONS
6 - 6000 SERIES 5 - 5000 SERIES	1 - WAFER / IRON (ASTM A126B)* 2 - LUG / IRON (ASTM A126B)* 3 - WAFER / DUCTILE (ASTM A536) 4 - LUG / DUCTILE (ASTM A536) 8 - WAFER / DUCTILE EPOXY COATED 9 - LUG / DUCTILE EPOXY COATED	0 - NICKEL PLATED DUCTILE IRON / 416 S.S. 1 - ALUMINUM/BRONZE (ASTM B148) / 416 S.S. 2 - 316 S.S. / 316 S.S. 3 - ALUMINUM/BRONZE (ASTM B148) / 316 S.S. 4 - NICKEL PLATED DUCTILE IRON / 316 S.S. 5 - EPOXY COATED IRON 6 - NYLON COATED IRON	0 - BUNA - N 1 - EPDM 3 - VITON 5 - BLACK NEOPRENE 6 - WHITE NEOPRENE 7 - HYPALON 8 - TEFLON OVER BUNA	00 - BARE STEM 01 - 10 POSITION LEVER LOCK 02 - 10 POSITION LEVER W/ MEMORY STOP 03 - GEAR OPERATOR W/ HANDWHEEL

* 5000 SERIES IS ONLY AVAILABLE IN CAST IRON WAFER OR LUG BODY WITH ALUMINUM BRONZE DISC, EPDM LINER, LEVER OR GEAR OPERATOR.

*HAMMOND VALVE RESERVES THE RIGHT TO UPGRADE TO DUCTILE IRON BODIES WITHOUT NOTICE AND WITHOUT ADDITIONAL COST.