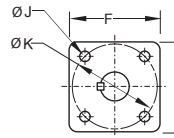
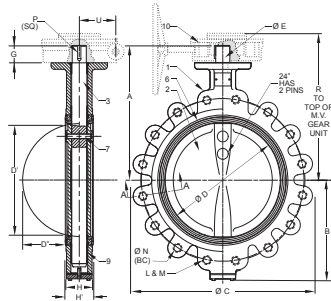
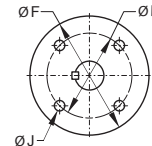


6200 Series* 14"-24"

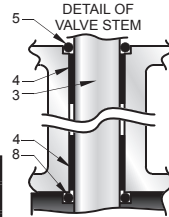
Iron Butterfly Valve
Lug Style
150 psi Non-Shock WOG
Dead End Service to 150 psi Max*
Specifications: MSS SP-67 Type 1



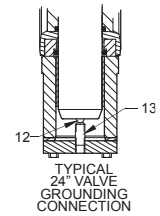
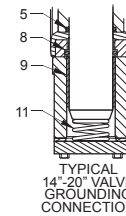
TYPICAL 24" VALVE OPERATOR FLANGE



TYPICAL 14"-20" VALVE OPERATOR FLANGE



SECTION AT A-A



MATERIALS LIST

ITEM	PART	MATERIALS
1	BODY	CAST IRON ASTM A126 CL. B
		DUCTILE IRON ASTM A536
		DUCTILE IRON-EPOXY COATED
2	DISC	NP DUCTILE IRON ASTM A536
		ALUMINUM BRONZE ASTM B148
		STAINLESS STEEL ASTM A351 CF8M
3	STEM	STAINLESS STEEL TYPE 416
		STAINLESS STEEL TYPE 316 (3)
4	TOP BEARING	REINFORCED NYLON
5	STEM O-RING	EPDM, BUNA, VITON (1)
6	LINER	BUNA
		EPDM
		VITON
		HYPALON
7	STEM PIN	ANSI 4140 OR AISI 6150
8	LINER O-RING	EPDM, BUNA, VITON (1)
9	LOWER BEARING	REINFORCED NYLON
10	OPERATOR	GEAR OPERATOR
		GEAR OPERATOR WITH MEMORY STOP
		GEAR OPERATOR WITH LOCK
		ACTUATOR-AIR/AIR (2)
		ACTUATOR-AIR/SRING (2)
ACTUATOR-ELECTRIC (2)		
11 14"-20"	GROUNDING SPRING	STAINLESS STEEL TYPE 302
12 24" Only	GROUNDING BALL	AISI-1022
13 24" Only	TENSION SCREW	AISI-1020

- (1) - VITON O-RINGS ARE USED WITH HYPALON LINER.
 (2) - CONSULT AUTOMATION DEPARTMENT.
 (3) - 316 STAINLESS STEEL USED WITH CF8M DISC.
 * UNI-DIRECTIONAL

DIMENSIONS

	INCHES	VALVE SIZE				
		14	16	18	20	24
A	DN	352	406	457	508	610
	INCHES	15.50	16.75	18.50	19.75	22.43
B	mm	398	425	469	501	569
	INCHES	11.56	12.69	13.63	15.13	18.06
C	mm	258	322	346	384	458
	INCHES	21.00	23.50	25.00	27.50	32.10
D	mm	533	596	635	698	815
	INCHES	13.25	15.25	17.24	19.24	23.25
D ¹ (Chord Dia.)	mm	336	387	438	489	591
	INCHES	12.94	14.77	16.70	18.64	22.49
D ¹¹ (Intrusion)	mm	329	375	424	474	571
	INCHES	5.06	5.59	6.34	7.09	8.55
E	mm	128	142	161	180	217
	INCHES	1.63	1.63	2.13	2.13	2.13
F	mm	41	41	54	54	54
	INCHES	6.50	6.50	9.50	9.50	7.50
G	mm	165	165	241	241	190
	INCHES	2.00	2.00	3.00	3.00	3.06
H (Body)	mm	50	50	76	76	77
	INCHES	3.06	4.00	4.50	5.00	6.06
H ¹ (Liner)	mm	77	101	114	127	153
	INCHES	3.19	4.13	4.63	5.13	6.19
J	mm	81	104	117	130	157
	INCHES	0.69	0.69	0.81	0.81	0.81
K	mm	17	17	20	20	20
	INCHES	5.25	5.25	7.50	7.50	7.50
L	mm	133	133	190	190	190
	No. of Holes	12	16	16	20	20
M	Thread Size	1-8	1-8	1 1/8-7	1 1/8-7	1 1/4-7
	INCHES	18.75	21.25	22.75	25.00	29.50
N	mm	476	540	577	635	749
	INCHES	0.38	0.38	0.50	0.50	0.50
P (Key Size)	mm	9	9	12	12	12
	INCHES	17.25	18.75	19.63	20.88	25.00
R	mm	438	476	458	530	635
	INCHES	3.13	3.13	4.50	4.50	4.63
U	mm	79	79	114	114	117
	INCHES	3.13	3.13	4.50	4.50	4.63

Note: The wetted surface of this product (In any material combination.) contacted by consumable water contains less than one quarter of one percent (.25%) of lead by weight.

The information presented on this sheet is correct at time of publication. Hammond Valve reserves the right to change design and/or materials without notice. For our Installation, Operation and Maintenance Manual and the most current product information go to www.hammondvalve.com. Hammond Valve is a registered trademark of Milwaukee Valve.

⚠ State of California Prop 65 **WARNING:** Cancer and Reproductive Harm. For more information visit www.p65warnings.ca.gov.

6	2	1	1	01
SERIES	BODY DESCRIPTION / MATERIAL	DISC & STEM MATERIAL DESCRIPTION	LINER MATERIAL	OPTIONS
6 - 6000 SERIES 5 - 5000 SERIES	1 - WAFER / IRON (ASTM A126B)* 2 - LUG / IRON (ASTM A126B)* 3 - WAFER / DUCTILE (ASTM A536) 4 - LUG / DUCTILE (ASTM A536) 8 - WAFER / DUCTILE EPOXY COATED 9 - LUG / DUCTILE EPOXY COATED	0 - NICKEL PLATED DUCTILE IRON / 416 S.S. 1 - ALUMINUM/BRONZE (ASTM B148) / 416 S.S. 2 - 316 S.S. / 316 S.S. 3 - ALUMINUM/BRONZE (ASTM B148) / 316 S.S. 4 - NICKEL PLATED DUCTILE IRON / 316 S.S. 5 - EPOXY COATED IRON 6 - NYLON COATED IRON	0 - BUNA - N 1 - EPDM 3 - VITON 5 - BLACK NEOPRENE 6 - WHITE NEOPRENE 7 - HYPALON 8 - TEFLON OVER BUNA	00 - BARE STEM 01 - 10 POSITION LEVER LOCK 02 - 10 POSITION LEVER W/ MEMORY STOP 03 - GEAR OPERATOR W/ HANDWHEEL
* 5000 SERIES IS ONLY AVAILABLE IN CAST IRON WAFER OR LUG BODY WITH ALUMINUM BRONZE DISC, EPDM LINER, LEVER OR GEAR OPERATOR.	*HAMMOND VALVE RESERVES THE RIGHT TO UPGRADE TO DUCTILE IRON BODIES WITHOUT NOTICE AND WITHOUT ADDITIONAL COST.			

BUTTERFLY FEATURES & OPTIONS

STANDARD FEATURES

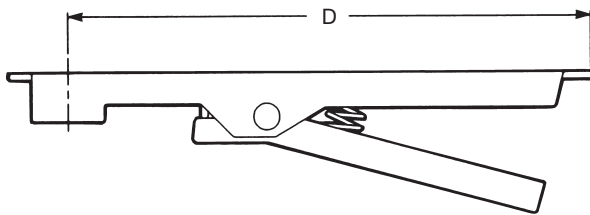
HEAVY DUTY DESIGN
 PHENOLIC CARTRIDGE DESIGN
 LOW TORQUE LINER
 BUBBLE TIGHT SHUT OFF
 LOW TORQUE POLYMER BEARING STD
 DEAD END SERVICE (LUG ONLY)
 FIELD REPAIRABLE

EXTENDED NECK BODY
 LOW PROFILE DISC
 BLOWOUT PROOF STEMS
 STAINLESS STEEL STEMS (416)
 BI-DIRECTIONAL SHUT OFF (EXCEPT AS NOTED)
 VACUUM RATINGS TO 29" OF MERCURY

OPERATORS

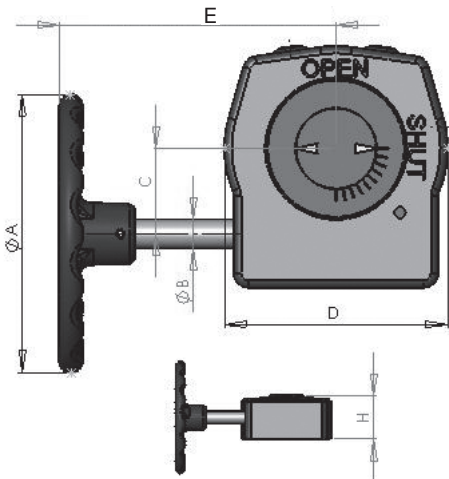
MANUAL

10 POSITION, PAD LOCKABLE, DUCTILE IRON LEVER HANDLE –STD, EPOXY COATING OPTIONAL.



VALVE SIZE	PART NUMBER	D-DIMENSION (inches)
2, 2-1/2, 3	84016-LL	9.00
4, 5	84016-RL	11.00
6	84016-SL	11.00
8	84016-UL	15.00
10, 12	84016-WL	15.00

WEATHER RESISTENT GEAR OPERATOR, CAST IRON, MEMORY STOP AND LOCKING DEVICE OPTIONAL.



VALVE SIZE	PART NUMBER	GEAR RATIO	ØA	ØB	C	D	E	H
2-3	8115-24N-L	24:1	6.00	0.63	1.80	4.20	8.80	2.30
4-5	8115-24N-R	24:1	6.00	0.63	1.80	4.20	8.80	2.30
6	8115-24N-S	24:1	6.00	0.63	1.80	4.20	8.80	2.30
8	8115-30N-U	30:1	9.00	0.75	2.60	6.03	8.50	3.23
10-12	8115-30N-W	30:1	9.00	0.75	2.60	6.03	8.50	3.23
14-16	8115-48N-16	50:1	12.00	0.75	3.10	6.97	13.40	3.46
18-20	8115-65N-20	80:1	12.00	1.00	4.93	10.30	12.60	4.63
24	8115-78N-24	120:1	16.00	1.00	4.93	10.30	12.60	6.00

ACTUATORS

PNEUMATIC ACTUATORS
 DOUBLE ACTING ACTUATORS
 SPRING-RETURN ACTUATORS
 SOLENOID VALVES
 LIMIT SWITCHES
 VALVE POSITIONERS

120 VOLT AC AND DC VOLTAGES
 NEMA 4 AND 7 HOUSING
 4-20 mA DC VALVE POSITIONERS
 ACTUATOR BRACKETS
 EXTRA LIMIT SWITCHES
 ELECTRIC ACTUATORS

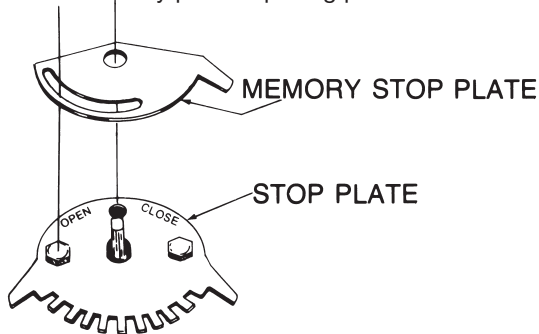
The information presented on this sheet is correct at time of publication. Hammond Valve reserves the right to change design and/or materials without notice. For our Installation, Operation and Maintenance Manual and the most current product information go to www.hammondvalve.com. Hammond Valve is a registered trademark of Milwaukee Valve.

⚠ State of California Prop 65 **WARNING:** Cancer and Reproductive Harm. For more information visit www.p65warnings.ca.gov.

OPTIONS & ACCESSORIES

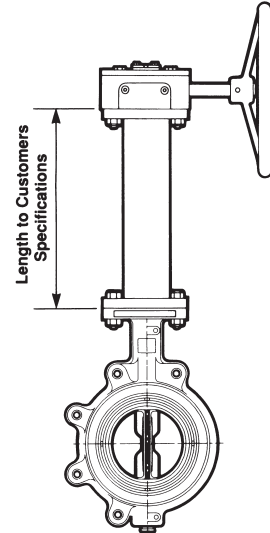
MEMORY STOP

The Memory Stop provides an adjustable stop when the valve is used in a balancing application. The Memory Stop can be set to any preset opening point.



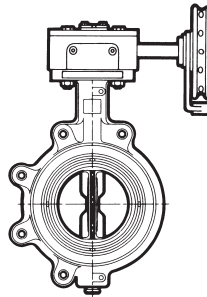
STEM EXTENSION

Provides means of operation at a required distance away from the valve body. Manual or automatic, actuators are easily adapted to mounting flange on the extension. To order, specify distance from valve mounting-flange to base of operator.



CHAINWHEEL

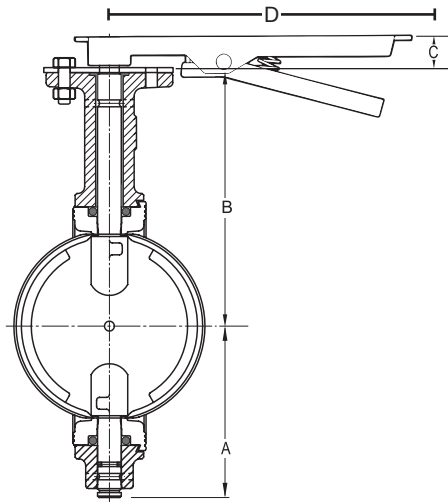
The chain wheel provides for remote operation of the valve in high, normally out-of-reach locations. Attaches to the gear operator easily for quick valve open/close response. Sprocket rim is aluminum; chain is steel. Specify the handwheel diameter ("A" dimension) and chain length. Chain sold separately.



The information presented on this sheet is correct at time of publication. Hammond Valve reserves the right to change design and/or materials without notice. For our Installation, Operation and Maintenance Manual and the most current product information go to www.hammondvalve.com. Hammond Valve is a registered trademark of Milwaukee Valve.

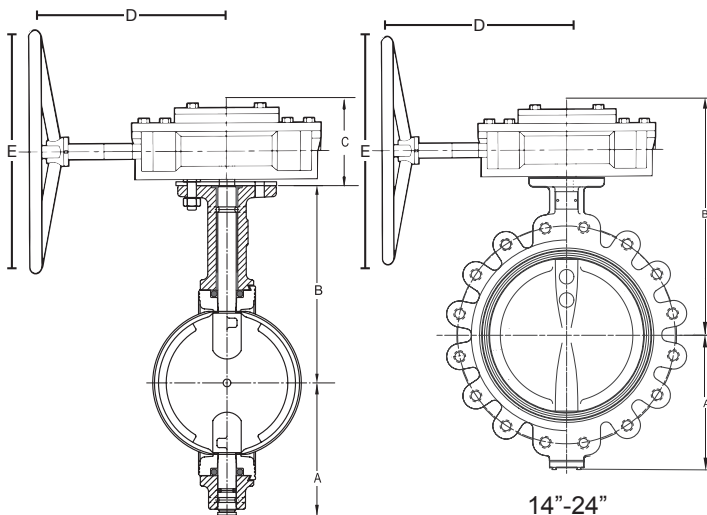
⚠ State of California Prop 65 **WARNING:** Cancer and Reproductive Harm. For more information visit www.p65warnings.ca.gov.

Butterfly Height With Lever or Gear Operator Wafer and Lug Styles



2"-12"

Butterfly with Lever Handle						
Size		A	B	C	D	Height
2"	INCHES	3.06	5.50	1.13	9.00	9.69
2 1/2"	INCHES	3.31	6.00	1.13	9.00	10.44
3"	INCHES	3.75	6.25	1.13	9.00	11.13
4"	INCHES	4.25	7.00	1.13	11.00	12.38
5"	INCHES	4.94	7.53	1.13	11.00	13.60
6"	INCHES	5.56	8.00	1.13	11.00	14.69
8"	INCHES	5.56	9.38	1.50	15.00	16.44
10"	INCHES	7.88	10.56	1.50	15.00	19.94
12"	INCHES	9.25	12.06	1.50	15.00	22.81



2"-12"

14"-24"

Butterfly with Gear Operator							
Size		A	B	C	D	E	Height
2"	INCHES	3.06	5.50	2.30	8.80	6.00	10.86
2 1/2"	INCHES	3.31	6.00	2.30	8.80	6.00	11.61
3"	INCHES	3.75	6.25	2.30	8.80	6.00	12.30
4"	INCHES	4.25	7.00	2.30	8.80	6.00	13.55
5"	INCHES	4.94	7.53	2.30	8.80	6.00	14.77
6"	INCHES	5.56	8.00	2.30	8.80	6.00	15.86
8"	INCHES	5.56	9.38	3.23	8.50	9.00	18.17
10"	INCHES	7.88	10.56	3.23	8.50	9.00	21.67
12"	INCHES	9.25	12.06	3.23	8.50	9.00	24.54
14"	INCHES	11.56	17.25	-	13.40	12.00	28.81
16"	INCHES	12.69	18.75	-	13.40	12.00	31.44
18"	INCHES	13.63	19.63	-	12.60	12.00	33.26
20"	INCHES	15.13	20.88	-	12.60	12.00	36.01
24"	INCHES	18.06	25.00	-	12.60	16.00	43.06

Note: 30"-48" Please see specification sheet.

The information presented on this sheet is correct at time of publication. Hammond Valve reserves the right to change design and/or materials without notice. For our Installation, Operation and Maintenance Manual and the most current product information go to www.hammondvalve.com. Hammond Valve is a registered trademark of Milwaukee Valve.

⚠ State of California Prop 65 **WARNING:** Cancer and Reproductive Harm. For more information visit www.p65warnings.ca.gov.