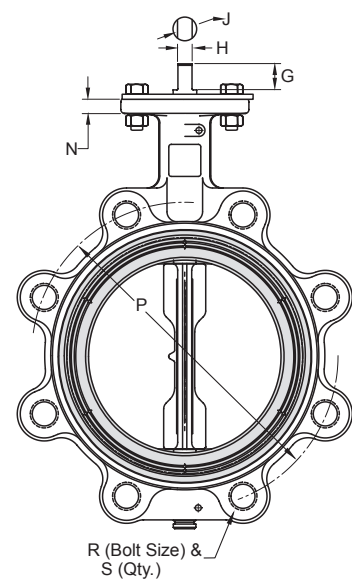
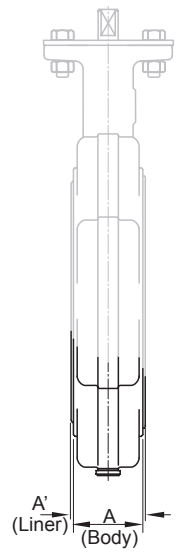
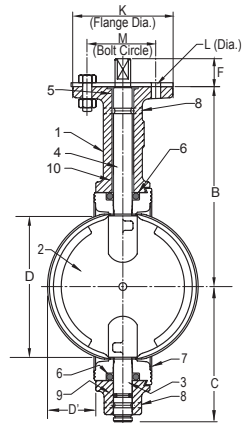


# 6200HP Series 2"-12"

Iron Butterfly Valve  
Lug Style  
250 psi Non-Shock WOG  
Dead End Service to 200 psi Max\*  
Specifications: API-609 MSS SP-67 Type 1



### MATERIALS LIST

ITEM	PART	MATERIALS
1	BODY	DUCTILE IRON ASTM A536
		DUCTILE IRON-EPOXY COATED
2	DISC	NP DUCTILE IRON ASTM A536
		ALUMINUM BRONZE ASTM B 148
3	BOTTOM STEM	STAINLESS STEEL TYPE 416
		STAINLESS STEEL TYPE 316 (1)
4	TOP STEM	STAINLESS STEEL TYPE 416
		STAINLESS STEEL TYPE 316 (1)
5	TOP BEARING	REINFORCED NYLON
6	SEAL	EPDM, BUNA, VITON
7	LINER	BUNA
		EPDM
		VITON
8	ROLL PIN	STAINLESS STEEL
9	STEM SEAL	EPDM, BUNA, VITON
10	LOWER BEARING	REINFORCED NYLON
11	OPERATOR	LEVER HANDLE
		EPOXY COATED LEVER HANDLE
		GEAR OPERATOR
		GEAR OPERATOR WITH MEMORY STOP
		GEAR OPERATOR WITH LOCK
		ACTUATOR-AIR/AIR
ACTUATOR-AIR/SPRING		
		ACTUATOR-ELECTRIC

(1) - 316 STEM USED WITH CF8M DISC  
\* UNI-DIRECTIONAL

### DIMENSIONS

	INCHES	VALVE SIZE									
		2	2-1/2	3	4	5	6	8	10	12	
A (Body)	DN	50	65	80	100	125	150	200	250	300	
	INCHES	1.69	1.81	1.81	2.07	2.19	2.19	2.38	2.69	3.06	
A <sup>1</sup> (Liner)	mm	43	46	46	52	55	55	60	68	78	
	INCHES	1.82	1.94	1.94	2.20	2.32	2.32	2.51	2.82	3.21	
B	mm	46	49	49	55	58	58	63	71	82	
	INCHES	5.50	6.00	6.25	7.00	7.53	8.00	9.38	10.56	12.06	
C	mm	139	152	158	177	191	203	238	268	306	
	INCHES	3.06	3.31	3.75	4.25	4.94	5.56	5.56	7.88	9.25	
D (Chord Dia)	mm	77	84	95	108	125	141	166	200	235	
	INCHES	1.49	2.01	2.64	3.67	4.71	5.66	7.72	9.70	11.68	
D <sup>1</sup> (Intrusion)	mm	37	51	67	93	119	143	196	246	296	
	INCHES	0.28	0.44	0.69	1.06	1.50	1.94	2.84	3.69	4.50	
F	mm	7	11	17	27	38	49	72	93	114	
	INCHES	1.13	1.13	1.13	1.13	1.13	1.13	1.50	1.50	1.50	
G	mm	28	28	28	28	28	28	38	38	38	
	INCHES	0.81	0.81	0.81	0.81	0.81	0.81	1.06	1.06	1.06	
H	mm	20	20	20	20	20	20	27	27	27	
	INCHES	0.35	0.35	0.35	0.40	0.40	0.44	0.53	0.71	0.71	
J	mm	8	8	8	10	10	11	13	18	18	
	INCHES	0.50	0.50	0.50	0.56	0.56	0.62	0.75	1.00	1.00	
K	mm	12	12	12	14	14	14	19	25	25	
	INCHES	4	4	4	4	4	4	6	6	6	
L (Dia)	mm	4	4	4	4	4	4	6	6	6	
	INCHES	0.44	0.44	0.44	0.44	0.44	0.44	0.56	0.56	0.56	
M	mm	11	11	11	11	11	11	14	14	14	
	INCHES	3.25	3.25	3.25	3.25	3.25	3.25	5.00	5.00	5.00	
N	mm	82	82	82	82	82	82	127	127	127	
	INCHES	0.44	0.44	0.44	0.44	0.44	0.44	0.50	0.50	0.50	
P	mm	11	11	11	11	11	11	12	12	12	
	INCHES	4.75	5.50	6.00	7.50	8.50	9.50	11.75	14.25	17.00	
R	mm	120	139	152	190	215	241	298	362	431	
	INCHES	5/8-11	5/8-11	5/8-11	5/8-11	3/4-10	3/4-10	3/4-10	7/8-9	7/8-9	
S		4	4	4	8	8	8	8	12	12	

**Note:** The wetted surface of this product (In any material combination.) contacted by consumable water contains less than one quarter of one percent (.25%) of lead by weight.

The information presented on this sheet is correct at time of publication. Hammond Valve reserves the right to change design and/or materials without notice. For our Installation, Operation and Maintenance Manual and the most current product information go to [www.hammondvalve.com](http://www.hammondvalve.com). Hammond Valve is a registered trademark of Milwaukee Valve.

⚠ State of California Prop 65 **WARNING:** Cancer and Reproductive Harm. For more information visit [www.p65warnings.ca.gov](http://www.p65warnings.ca.gov).



6	2	1	1	01
SERIES	BODY DESCRIPTION / MATERIAL	DISC & STEM MATERIAL DESCRIPTION	LINER MATERIAL	OPTIONS
<b>6 - 6000 SERIES</b> <b>5 - 5000 SERIES</b>	<b>1 - WAFER / IRON (ASTM A126B)*</b> <b>2 - LUG / IRON (ASTM A126B)*</b> <b>3 - WAFER / DUCTILE (ASTM A536)</b> <b>4 - LUG / DUCTILE (ASTM A536)</b> <b>8 - WAFER / DUCTILE EPOXY COATED</b> <b>9 - LUG / DUCTILE EPOXY COATED</b>	<b>0 - NICKEL PLATED DUCTILE</b> <b>IRON / 416 S.S.</b> <b>1 - ALUMINUM/BRONZE (ASTM B148) / 416 S.S.</b> <b>2 - 316 S.S. / 316 S.S.</b> <b>3 - ALUMINUM/BRONZE (ASTM B148) / 316 S.S.</b> <b>4 - NICKEL PLATED DUCTILE</b> <b>IRON / 316 S.S.</b> <b>5 - EPOXY COATED IRON</b> <b>6 - NYLON COATED IRON</b>	<b>0 - BUNA - N</b> <b>1 - EPDM</b> <b>3 - VITON</b> <b>5 - BLACK NEOPRENE</b> <b>6 - WHITE NEOPRENE</b> <b>7 - HYPALON</b> <b>8 - TEFLON OVER BUNA</b>	<b>00 - BARE STEM</b> <b>01 - 10 POSITION LEVER LOCK</b> <b>02 - 10 POSITION LEVER W/ MEMORY STOP</b> <b>03 - GEAR OPERATOR W/ HANDWHEEL</b>

\* 5000 SERIES IS ONLY AVAILABLE IN CAST IRON WAFER OR LUG BODY WITH ALUMINUM BRONZE DISC, EPDM LINER, LEVER OR GEAR OPERATOR.

\*HAMMOND VALVE RESERVES THE RIGHT TO UPGRADE TO DUCTILE IRON BODIES WITHOUT NOTICE AND WITHOUT ADDITIONAL COST.

# BUTTERFLY FEATURES & OPTIONS

## STANDARD FEATURES

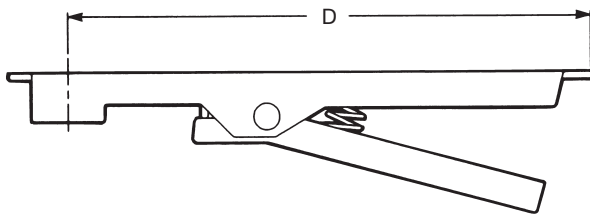
HEAVY DUTY DESIGN  
 PHENOLIC CARTRIDGE DESIGN  
 LOW TORQUE LINER  
 BUBBLE TIGHT SHUT OFF  
 LOW TORQUE POLYMER BEARING STD  
 DEAD END SERVICE (LUG ONLY)  
 FIELD REPAIRABLE

EXTENDED NECK BODY  
 LOW PROFILE DISC  
 BLOWOUT PROOF STEMS  
 STAINLESS STEEL STEMS (416)  
 BI-DIRECTIONAL SHUT OFF (EXCEPT AS NOTED)  
 VACUUM RATINGS TO 29" OF MERCURY

## OPERATORS

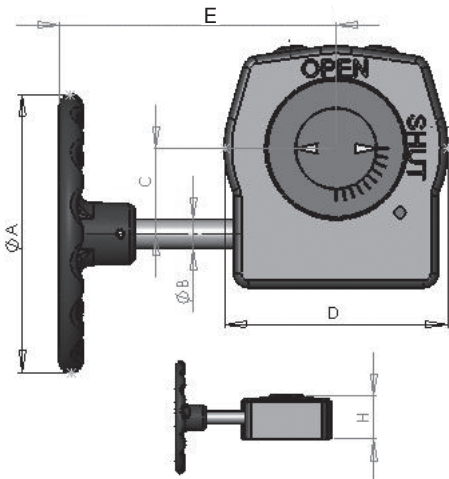
### MANUAL

10 POSITION, PAD LOCKABLE, DUCTILE IRON LEVER HANDLE –STD, EPOXY COATING OPTIONAL.



VALVE SIZE	PART NUMBER	D-DIMENSION (inches)
2, 2-1/2, 3	84016-LL	9.00
4, 5	84016-RL	11.00
6	84016-SL	11.00
8	84016-UL	15.00
10, 12	84016-WL	15.00

WEATHER RESISTENT GEAR OPERATOR, CAST IRON, MEMORY STOP AND LOCKING DEVICE OPTIONAL.



VALVE SIZE	PART NUMBER	GEAR RATIO	ØA	ØB	C	D	E	H
2-3	8115-24N-L	24:1	6.00	0.63	1.80	4.20	8.80	2.30
4-5	8115-24N-R	24:1	6.00	0.63	1.80	4.20	8.80	2.30
6	8115-24N-S	24:1	6.00	0.63	1.80	4.20	8.80	2.30
8	8115-30N-U	30:1	9.00	0.75	2.60	6.03	8.50	3.23
10-12	8115-30N-W	30:1	9.00	0.75	2.60	6.03	8.50	3.23
14-16	8115-48N-16	50:1	12.00	0.75	3.10	6.97	13.40	3.46
18-20	8115-65N-20	80:1	12.00	1.00	4.93	10.30	12.60	4.63
24	8115-78N-24	120:1	16.00	1.00	4.93	10.30	12.60	6.00

## ACTUATORS

PNEUMATIC ACTUATORS  
 DOUBLE ACTING ACTUATORS  
 SPRING-RETURN ACTUATORS  
 SOLENOID VALVES  
 LIMIT SWITCHES  
 VALVE POSITIONERS

120 VOLT AC AND DC VOLTAGES  
 NEMA 4 AND 7 HOUSING  
 4-20 mA DC VALVE POSITIONERS  
 ACTUATOR BRACKETS  
 EXTRA LIMIT SWITCHES  
 ELECTRIC ACTUATORS

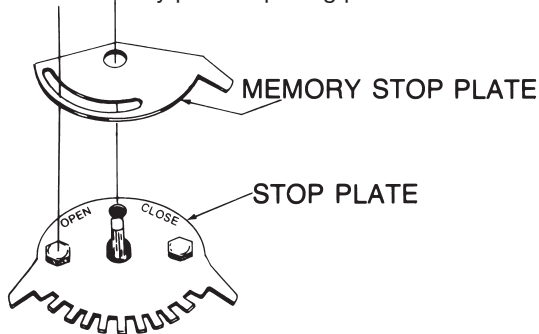
The information presented on this sheet is correct at time of publication. Hammond Valve reserves the right to change design and/or materials without notice. For our Installation, Operation and Maintenance Manual and the most current product information go to [www.hammondvalve.com](http://www.hammondvalve.com). Hammond Valve is a registered trademark of Milwaukee Valve.

⚠ State of California Prop 65 **WARNING:** Cancer and Reproductive Harm. For more information visit [www.p65warnings.ca.gov](http://www.p65warnings.ca.gov).

# OPTIONS & ACCESSORIES

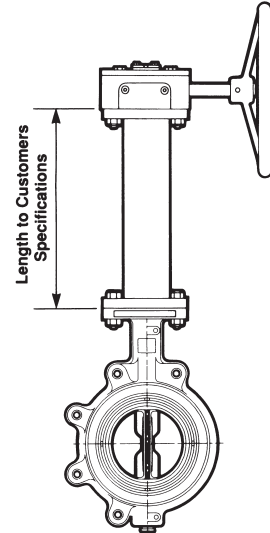
## MEMORY STOP

The Memory Stop provides an adjustable stop when the valve is used in a balancing application. The Memory Stop can be set to any preset opening point.



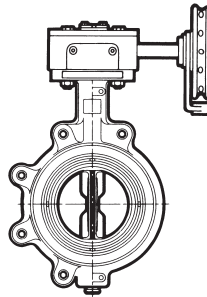
## STEM EXTENSION

Provides means of operation at a required distance away from the valve body. Manual or automatic, actuators are easily adapted to mounting flange on the extension. To order, specify distance from valve mounting-flange to base of operator.



## CHAINWHEEL

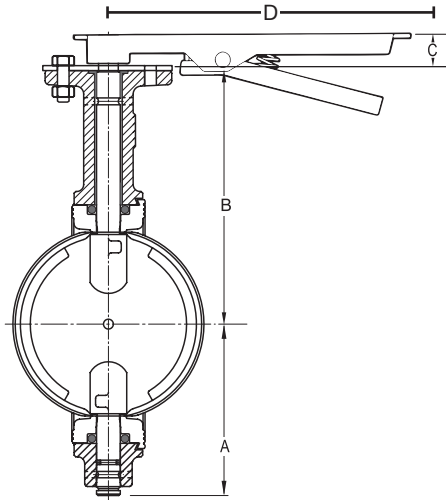
The chain wheel provides for remote operation of the valve in high, normally out-of-reach locations. Attaches to the gear operator easily for quick valve open/close response. Sprocket rim is aluminum; chain is steel. Specify the handwheel diameter ("A" dimension) and chain length. Chain sold separately.



The information presented on this sheet is correct at time of publication. Hammond Valve reserves the right to change design and/or materials without notice. For our Installation, Operation and Maintenance Manual and the most current product information go to [www.hammondvalve.com](http://www.hammondvalve.com). Hammond Valve is a registered trademark of Milwaukee Valve.

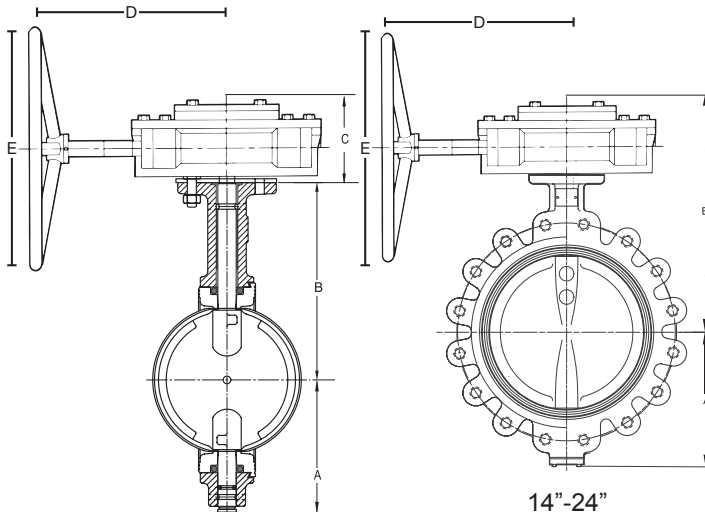
⚠ State of California Prop 65 **WARNING:** Cancer and Reproductive Harm. For more information visit [www.p65warnings.ca.gov](http://www.p65warnings.ca.gov).

# Butterfly Height With Lever or Gear Operator Wafer and Lug Styles



2"-12"

Butterfly with Lever Handle						
Size		A	B	C	D	Height
2"	INCHES	3.06	5.50	1.13	9.00	9.69
2 1/2"	INCHES	3.31	6.00	1.13	9.00	10.44
3"	INCHES	3.75	6.25	1.13	9.00	11.13
4"	INCHES	4.25	7.00	1.13	11.00	12.38
5"	INCHES	4.94	7.53	1.13	11.00	13.60
6"	INCHES	5.56	8.00	1.13	11.00	14.69
8"	INCHES	5.56	9.38	1.50	15.00	16.44
10"	INCHES	7.88	10.56	1.50	15.00	19.94
12"	INCHES	9.25	12.06	1.50	15.00	22.81



2"-12"

14"-24"

Butterfly with Gear Operator							
Size		A	B	C	D	E	Height
2"	INCHES	3.06	5.50	2.30	8.80	6.00	10.86
2 1/2"	INCHES	3.31	6.00	2.30	8.80	6.00	11.61
3"	INCHES	3.75	6.25	2.30	8.80	6.00	12.30
4"	INCHES	4.25	7.00	2.30	8.80	6.00	13.55
5"	INCHES	4.94	7.53	2.30	8.80	6.00	14.77
6"	INCHES	5.56	8.00	2.30	8.80	6.00	15.86
8"	INCHES	5.56	9.38	3.23	8.50	9.00	18.17
10"	INCHES	7.88	10.56	3.23	8.50	9.00	21.67
12"	INCHES	9.25	12.06	3.23	8.50	9.00	24.54
14"	INCHES	11.56	17.25	-	13.40	12.00	28.81
16"	INCHES	12.69	18.75	-	13.40	12.00	31.44
18"	INCHES	13.63	19.63	-	12.60	12.00	33.26
20"	INCHES	15.13	20.88	-	12.60	12.00	36.01
24"	INCHES	18.06	25.00	-	12.60	16.00	43.06

**Note:** 30"-48" Please see specification sheet.

The information presented on this sheet is correct at time of publication. Hammond Valve reserves the right to change design and/or materials without notice. For our Installation, Operation and Maintenance Manual and the most current product information go to [www.hammondvalve.com](http://www.hammondvalve.com). Hammond Valve is a registered trademark of Milwaukee Valve.

⚠ State of California Prop 65 **WARNING:** Cancer and Reproductive Harm. For more information visit [www.p65warnings.ca.gov](http://www.p65warnings.ca.gov).