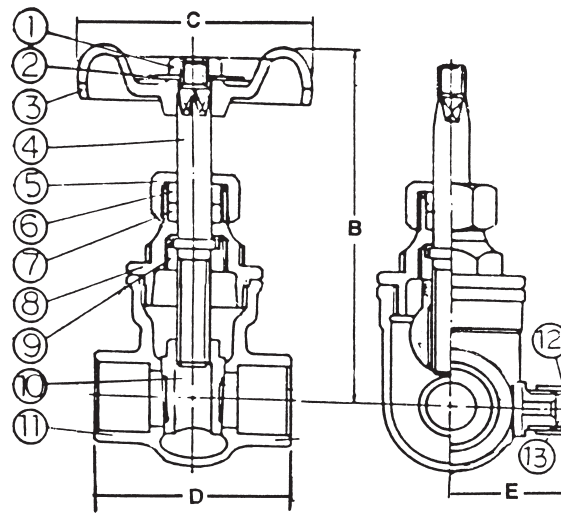


BRASS GATE VALVE

667-20 & 668-20

200 WOG



667-20 Threaded

668-20 Solder

DIMENSIONS (INCHES)					Approx. Weight 668-20
SIZE	B	C	D	E	
1/2	2.91	2.13	1.78	1.00	0.55
3/4	3.31	2.13	2.31	1.13	0.70
1	3.94	2.41	2.84	1.25	1.17

RATING

- 200 PSI NON-SHOCK

FEATURES

- DRAINABLE BRASS BODY
- SOLDER ENDS
- THREADED BONNET
- ADJUSTABLE PACKING NUT
- INTEGRAL SEAT
- NON-RISING STEM
- SOLID WEDGE DISC
- IRON HANDWHEEL
- 100% FACTORY TESTED
- INTERNATIONAL

MATERIAL SPECIFICATION			
1	Handwheel Nut	Steel	Commercial
2	Nameplate	Aluminum Sheet	Commercial
3	Handwheel	Cast Iron	ASTM A48, Class 35
4	Stem	Brass Rod	ASTM B16, C36000
5	Packing Nut	Brass Rod	ASTM B16, C36000
		Cast Brass	ASTM B584, C85700
6	Gland	Brass Rod	ASTM B16, C36000
7	Packing Ring	Non-Asbestos	
		Synthetic Fibers	
8	Bonnet	Forged Brass	ASTM B283, C37700
9	Locknut	Brass Rod	ASTM B16, C36000
10	Wedge	Forged Brass	ASTM B283, C37700
11	Body	Forged Brass	ASTM B283, C37700
12	Drain Cap	Brass Rod	ASTM B16, C36000
13	Drain Cap Seat	TFE	TFE

The information presented on this sheet is correct at time of publication. Hammond Valve reserves the right to change design and/or materials without notice. For our Installation, Operation and Maintenance Manual and the most current product information go to www.hammondvalve.com. Hammond Valve is a registered trademark of Milwaukee Valve.

⚠ State of California Prop 65 **WARNING:** Cancer and Reproductive Harm. For more information visit www.p65warnings.ca.gov.