

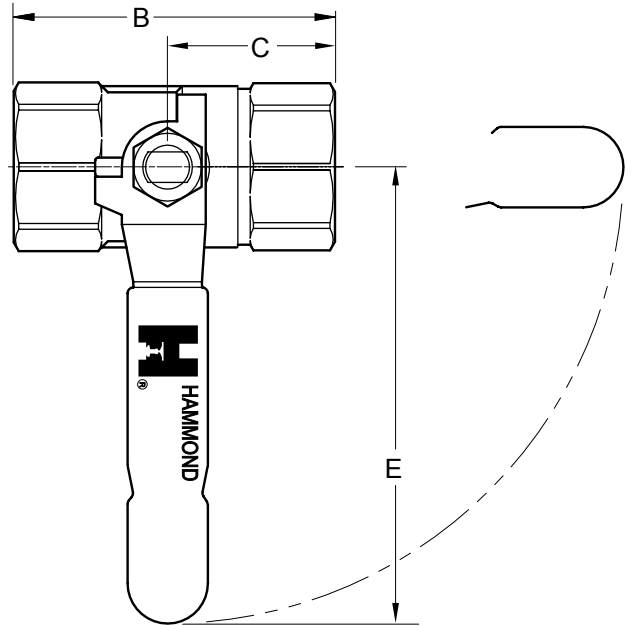
8201* 1/4"-4"

**Brass Ball Valve
Two Piece
Standard Port (1/2" - 4") Full Port (1/4" - 3/8")
400 WOG
Threaded Ends
Blow-Out Proof Stem
MSS SP-110**

MATERIALS LIST

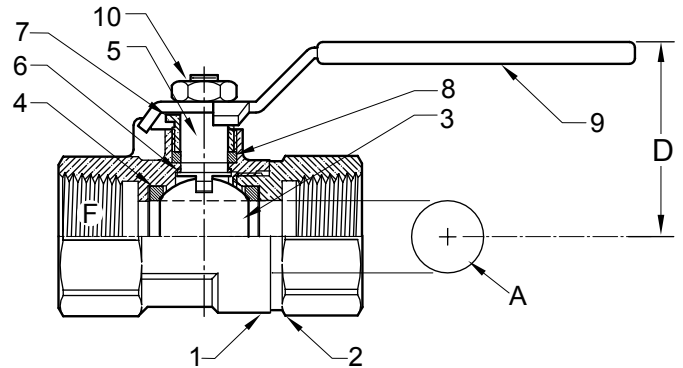
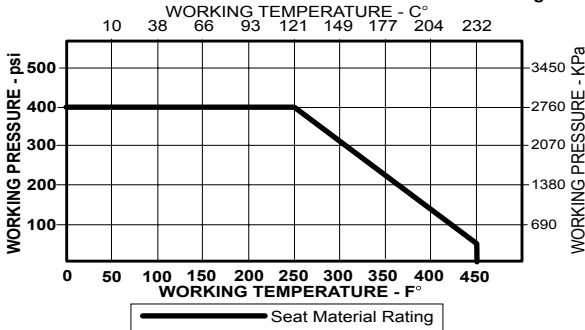
ITEM	PART	MATERIALS	ASTM SPEC.
1	Body	Brass, Forged	B283
2	Tailpiece	Brass, Forged	B283
3	Ball	Brass, CP	B283
		Brass CP, Cast	B584
4	Seat	PTFE	
5	Stem	Brass	B124
6	Thrust Washer	PTFE	
7	Gland Nut	Brass	B16
8	Gland Packing	PTFE	
9	Handle	Steel w/Zinc Plating	Commercial
10	Handle Nut	Brass	B16

*Not intended for use in potable water.



PRESSURE - TEMPERATURE DATA

VALVES RATED FOR VACUUM SERVICE TO 29 INCHES Hg.



DIMENSIONS

	UNITS	1/4" DN6	3/8" DN10	1/2" DN15	3/4" DN20	1" DN25	1-1/4" DN32	1-1/2" DN40	2" DN50	2-1/2" DN65	3" DN80	4" DN100
A (DIA)	INCHES	0.31	0.31	0.39	0.59	0.76	0.98	1.26	1.50	2.00	2.52	2.95
	mm	8	8	10	15	19	25	32	38	51	64	75
B	INCHES	1.65	1.65	2.30	2.55	3.05	3.43	3.76	4.21	5.50	6.22	7.31
	mm	42	42	58	65	78	87	96	107	140	158	186
C	INCHES	0.83	0.83	1.15	1.28	1.53	1.72	1.88	2.11	2.75	3.11	3.66
	mm	21	21	29	33	39	44	48	54	70	80	93
D	INCHES	1.38	1.38	1.50	1.61	2.00	2.17	2.72	2.87	3.66	4.02	4.33
	mm	35	35	38	41	51	55	69	73	93	102	110
E	INCHES	3.31	3.31	3.31	3.31	4.65	4.65	5.28	5.28	7.87	7.87	7.87
	mm	84	84	84	84	118	118	134	134	200	200	200
F	THREAD SIZE	1/4" NPT	3/8" NPT	1/2" NPT	3/4" NPT	1" NPT	1-1/4" NPT	1-1/2" NPT	2" NPT	2-2/1" NPT	3" NPT	4" NPT
Cv		9	9	12	18	40	72	112	161	287	448	645

Note: DN (Diameter Nominal) = Metric equivalent size.

The information presented on this sheet is correct at time of publication. Hammond Valve reserves the right to change design and/or materials without notice. For our Installation, Operation and Maintenance Manual and the most current product information go to www.hammondvalve.com. Hammond Valve is a registered trademark of Milwaukee Valve.

⚠ State of California Prop 65 **WARNING:** Cancer and Reproductive Harm. For more information visit www.p65warnings.ca.gov.

OPTIONS

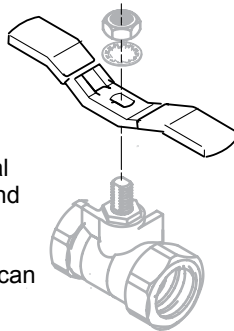
8201/8211
8901/8911
BA480B/BA490B

02 Memory Stop

The "02" Memory Stop provides an adjustable stop when the valve is used in a balancing application. The memory stop can be set to any preset opening point.

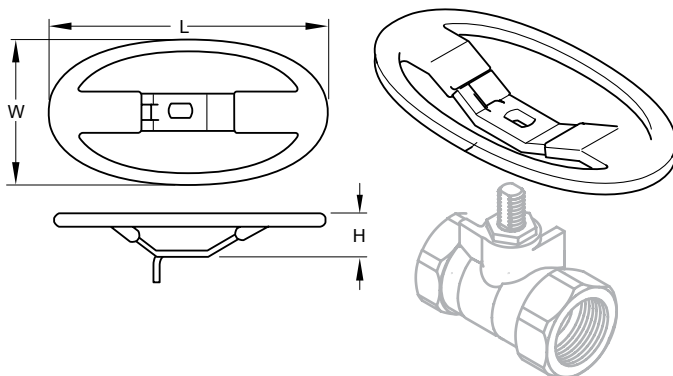
03 Tee Handle

Tee handles offer the same installation space savings as oval handles, with a slightly shorter end to end dimension. Tee handles require more handle force to operate, so accidental openings can be reduced.



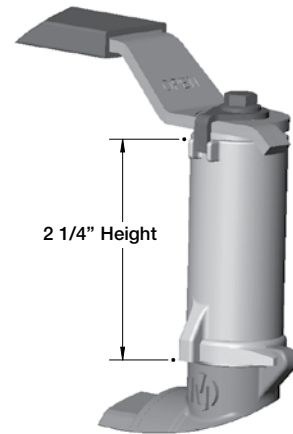
04 Oval Handle

Oval handles can be installed where a standard lever handle might encounter interference from adjoining piping. Oval handles can also prevent accidental valve operations, since they have less projection than a lever handle, and require more turning force to operate.



06 Extension Handle With Memory Stop

The "06" stem extension is simple and effective design. This option is designed for installations where pipe insulation would make standard handles inoperable.

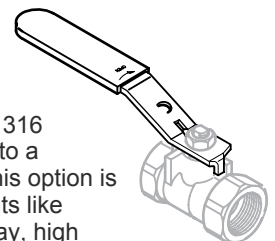


07 Locking Lever Handle



08 Stainless Steel Handle

The "08" handle option adds a 316 stainless steel handle and nut to a standard bronze ball valve. This option is intended for harsh environments like areas subject to salt water spray, high humidity, cleaning chemicals, etc.



The information presented on this sheet is correct at time of publication. Hammond Valve reserves the right to change design and/or materials without notice. For our Installation, Operation and Maintenance Manual and the most current product information go to www.hammondvalve.com. Hammond Valve is a registered trademark of Milwaukee Valve.

⚠ State of California Prop 65 **WARNING:** Cancer and Reproductive Harm. For more information visit www.p65warnings.ca.gov.