

8501H/8511H* 1/2"-3/4"

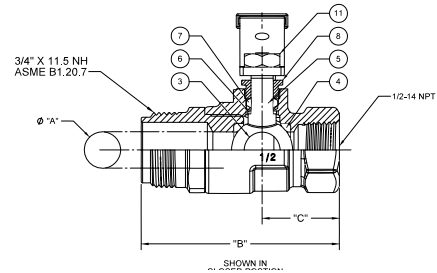
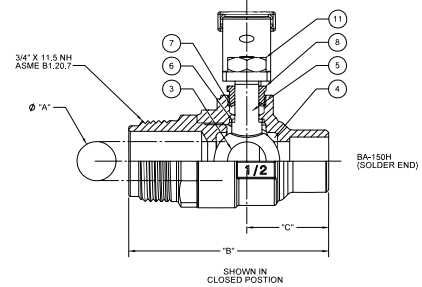
**Bronze Ball Valve
Two Piece
Full Port
Threaded x 3/4" Hose End (8501H)
Solder x 3/4" Hose End (8511H)
Dust Cap and Chain
Blow-Out Proof Stem
MSS SP-110**

MATERIALS LIST

| ITEM | PART | MATERIALS | ASTM SPEC. |
|------|---------------|-----------------------------|------------|
| 1 | Body | Bronze | B584 |
| 2 | Tailpiece | Brass | B16 |
| 3 | Ball | Brass w/Hard Chrome Plating | B16 |
| 4 | Seat | RPTFE, 15% Glass Filled | |
| 5 | Stem | Brass | B16 |
| 6 | Thrust Washer | RPTFE, 25% Glass Filled | |
| 7 | Packing | PTFE | |
| 8 | Packing Nut | Brass | B16 |
| 9 | Handle | Steel w/Zinc Plating | Commercial |
| 10 | Hand Grip | Vinyl | |
| 11 | Handle Nut | Steel w/Zinc Plating | Commercial |
| 12 | Dust Cap | Polypropylene | |
| 13 | Gasket | EPDM | |
| 14 | Chain | Brass Bead | |

NOTE: Pressure / Temperature ratings shown are for valve only.
Hose side pressure and temperature limit is based on connected hose and is the users responsibility.

***Not intended for use in potable water.**

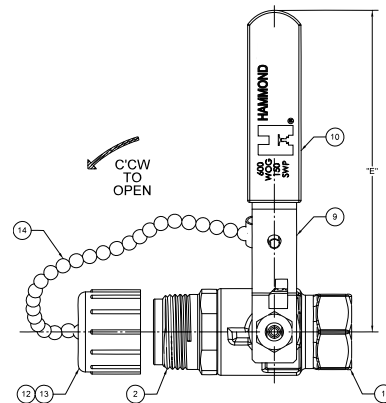


**Do not pressurize cap.
Pressure not to exceed 40 psi.**

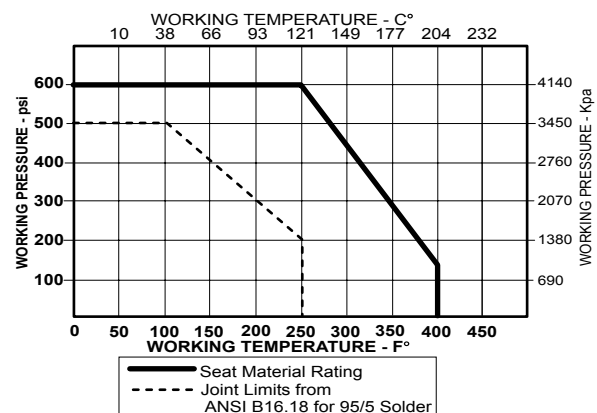
DIMENSIONS

| | UNITS | 1/2" | 3/4" |
|---------------|----------------|------|------|
| | | DN15 | DN20 |
| ØA | INCHES | 0.50 | 0.76 |
| | mm | 13 | 19 |
| B (8501H) | INCHES | 2.70 | 2.90 |
| | mm | 69 | 74 |
| B' (8511H) | INCHES | 2.55 | 3.05 |
| | mm | 65 | 78 |
| C (8501H) | INCHES | 1.10 | 1.30 |
| | mm | 28 | 33 |
| C' (8511H) | INCHES | 1.10 | 1.45 |
| | mm | 28 | 37 |
| D | INCHES | 1.88 | 2.14 |
| | mm | 48 | 54 |
| E | INCHES | 3.81 | 4.62 |
| | mm | 97 | 117 |
| F | THREADED INLET | NPT | NPT |
| Cv | | 13 | 30 |

Note: DN (Diameter Nominal) = Metric equivalent size.



PRESSURE - TEMPERATURE DATA (See Note)



The information presented on this sheet is correct at time of publication. Hammond Valve reserves the right to change design and/or materials without notice. For our Installation, Operation and Maintenance Manual and the most current product information go to www.hammondvalve.com. Hammond Valve is a registered trademark of Milwaukee Valve.

⚠ State of California Prop 65 **WARNING:** Cancer and Reproductive Harm. For more information visit www.p65warnings.ca.gov.