

8501H/8503H P1 1/2"-3/4"



**Bronze Ball Valve
Two Piece
Full Port
200 psig @ 250°F†
Press x Hose End
Dust Cap and Chain
Blow-Out Proof Stem
Conforms to MSS SP-110**

***Not intended for use in potable water.**

MATERIAL LIST

ITEM	PART	MATERIAL	ASTM SPEC
1	Body	Bronze	B584
2	Tailpiece	Brass	B16
3	Ball	Brass w/Hard Chrome Plating	B16
		316 Stainless Steel (1)	A276
4	Seat	RPTFE, 15% Glass Filled	
5	Stem	Brass	B16
		316 Stainless Steel (1)	A276
6	Thrust Washer	RPTFE, 25% Glass Filled	
7	Packing	PTFE	
8	Packing Nut	Brass	B16
9	Handle	Steel w/Zinc Plating	Commercial
10	Hand Grip	Vinyl	
11	Handle Nut	Steel w/Zinc Plating	Commercial
12	Dust Cap	Polypropylene	
13	Gasket	EPDM	
14	Chain	Brass Bead	
15	Press Adapters	Brass Fitting w/EPDM O-Ring	B283

+NON-SHOCK

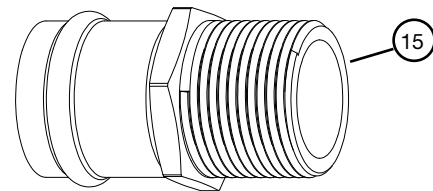
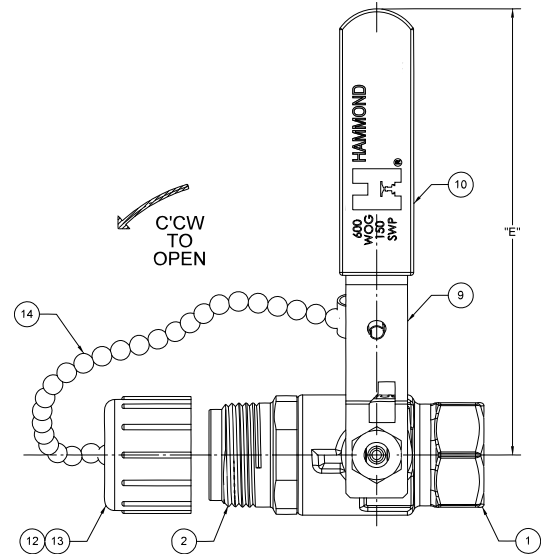
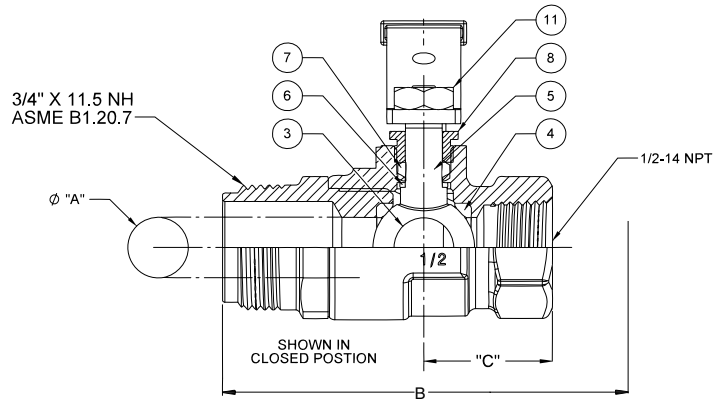
(1) Ball & Stem are stainless steel for 8503H P1

**Do not pressurize cap.
Pressure not to exceed 40 psi.**

DIMENSIONS

	UNITS	1/2"	3/4"
		DN15	DN20
A	INCHES mm	0.50 13	.76 19
B	INCHES mm	2.70 69	2.90 74
STD INSERTION DEPTH	INCHES mm	.87 22	.98 25
C	INCHES mm	1.10 28	1.30 33
D	INCHES mm	1.88 48	2.14 54
E	INCHES mm	3.81 97	4.62 117
F	THREAD INLET	NPT	NPT
Cv		13	30

Note: DN (Diameter Nominal) = Metric equivalent size.



Press End Adapter (4151 Series)

The information presented on this sheet is correct at time of publication. Hammond Valve reserves the right to change design and/or materials without notice. For our Installation, Operation and Maintenance Manual and the most current product information go to www.hammondvalve.com. Hammond Valve is a registered trademark of Milwaukee Valve.

⚠ State of California Prop 65 **WARNING:** Cancer and Reproductive Harm. For more information visit www.p65warnings.ca.gov.

