

# 8501M\* 1/4"-2"

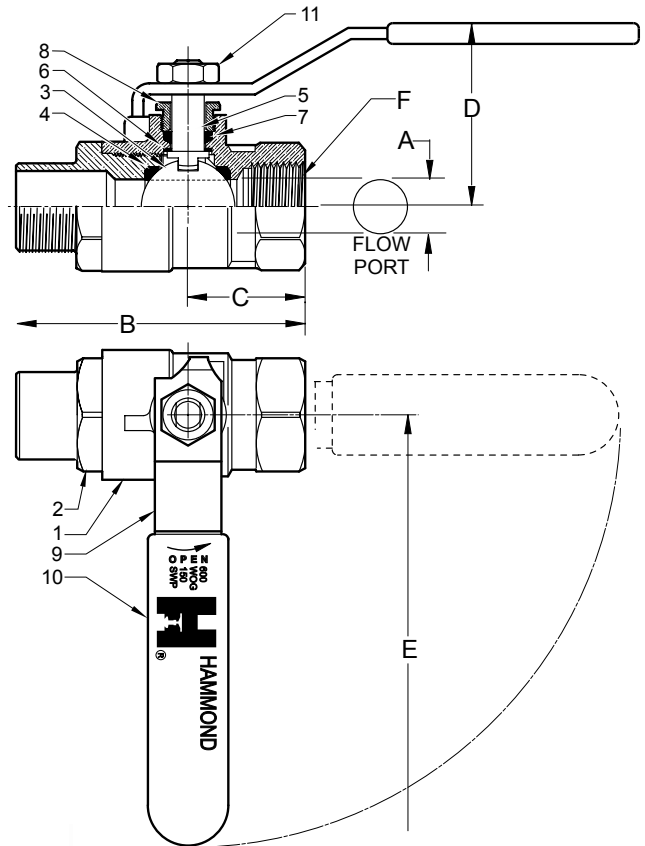
**Bronze Ball Valve**  
**Two Piece**  
**Standard Port (1"-2") Full Port (1/4"-3/4")**  
**600 WOG/150 SWP\***  
**FNPT x MNPT Connections**  
**Blow-Out Proof Stem**  
**MSS SP-110**

## MATERIALS LIST

ITEM	PART	MATERIALS	ASTM SPEC.
1	Body	Cast Bronze	B584
2	Tailpiece	Brass/Bronze (1" & up)	B16/B584
3	Ball	Brass w/Hard Chrome Plating	B16
4	Seat	RPTFE, 15% Glass Filled	
5	Stem	Brass	B16
6	Thrust Washer	RPTFE, 25% Glass Filled	
7	Packing	PTFE	
8	Packing Nut	Brass	B16
9	Handle	Steel w/Zinc Plating	Commercial
10	Hand Grip	Vinyl	
11	Handle Nut	Steel w/Zinc Plating	Commercial

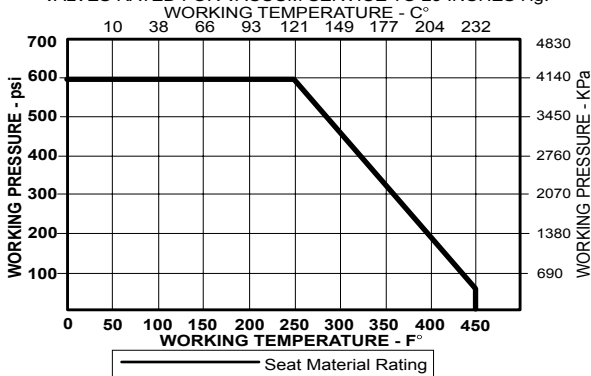
\* Please consult factory for more information regarding steam applications.

\*Not intended for use in potable water.



## PRESSURE - TEMPERATURE CHART

VALVES RATED FOR VACUUM SERVICE TO 29 INCHES Hg.



## DIMENSIONS

	UNITS	1/4" DN6	3/8" DN10	1/2" DN15	3/4" DN20	1" DN25	1-1/4" DN32	1-1/2" DN40	2" DN50
A (DIA)	INCHES	0.38	0.38	0.50	0.76	0.88	1.06	1.31	1.56
	mm	10	10	13	19	22	27	33	40
B	INCHES	2.50	2.52	2.80	3.22	3.64	4.24	4.69	4.95
	mm	64	64	71	82	93	108	119	126
C	INCHES	1.00	1.00	1.09	1.30	1.59	1.75	1.97	2.15
	mm	25	25	28	33	40	45	50	55
D	INCHES	1.76	1.76	1.87	2.20	2.28	2.67	2.77	3.00
	mm	45	45	48	56	58	68	70	77
E	INCHES	3.79	3.79	3.80	4.55	4.54	6.32	6.32	7.20
	mm	96	96	96	116	115	161	161	183
F	THREAD SIZE	1/4" NPT	3/8" NPT	1/2" NPT	3/4" NPT	1" NPT	1-1/4" NPT	1-1/2" NPT	2" NPT
Cv		11	11	17	30	40	52	90	115

Note: DN (Diameter Nominal) = Metric equivalent size.

The information presented on this sheet is correct at time of publication. Hammond Valve reserves the right to change design and/or materials without notice. For our Installation, Operation and Maintenance Manual and the most current product information go to [www.hammondvalve.com](http://www.hammondvalve.com). Hammond Valve is a registered trademark of Milwaukee Valve.

⚠ State of California Prop 65 **WARNING:** Cancer and Reproductive Harm. For more information visit [www.p65warnings.ca.gov](http://www.p65warnings.ca.gov).