

# 8511/8513\* 3/8"-3"

**Bronze Ball Valve  
Two Piece  
Standard Port (1"-3") Full Port (3/8"-3/4")  
600 WOG  
Solder Ends  
Blow-Out Proof Stem  
MSS SP-110**

\*Not intended for use in potable water.

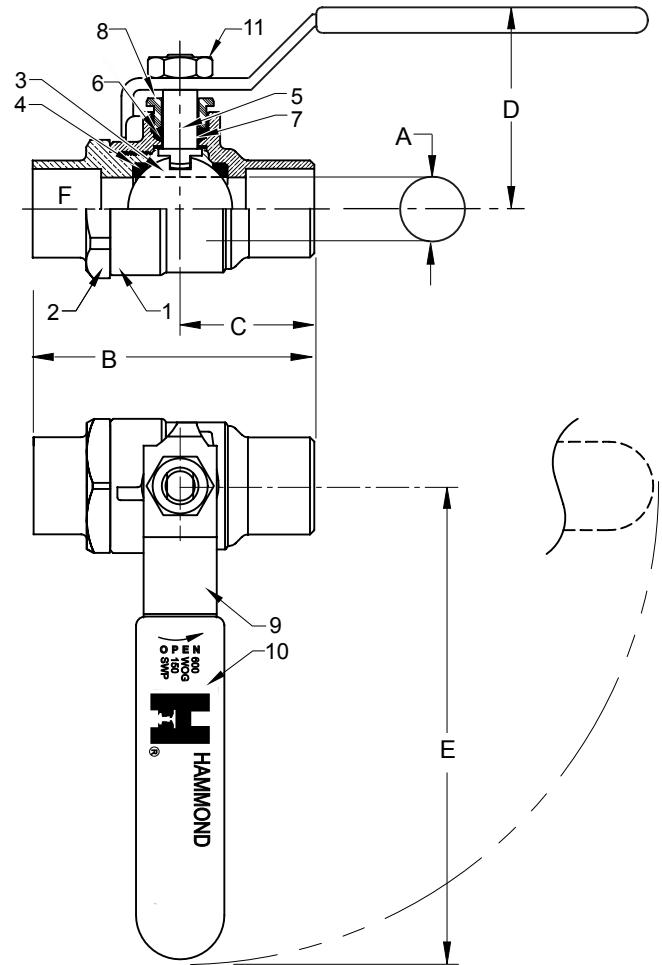
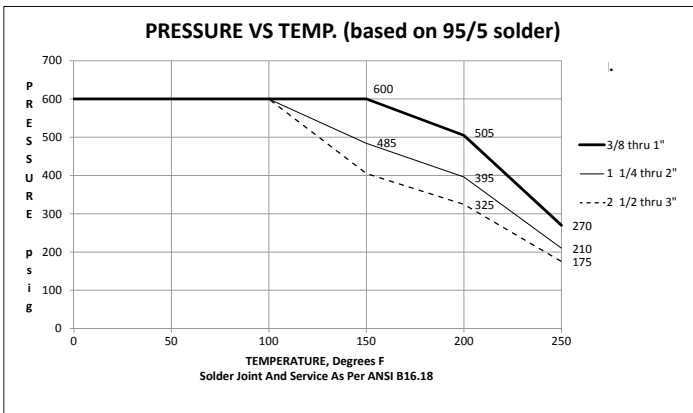
## MATERIALS LIST

ITEM	PART	MATERIALS	ASTM SPEC.
1	Body	Cast Bronze	B584
2	Tailpiece	Brass	B283
		Cast Bronze (1 1/4" & up)	B584
3	Ball	Brass w/Hard Chrome Plating	B16
		316 Stainless Steel (1)	A276
4	Seat	RPTFE, 15% Glass Filled	
5	Stem	Brass	B16
		316 Stainless Steel (1)	A276
6	Thrust Washer	RPTFE, 25% Glass Filled	
7	Packing	PTFE	
8	Packing Nut	Brass	B16
9	Handle	Steel w/Zinc Plating	Commercial
10	Hand Grip	Vinyl	
11	Handle Nut	Steel w/Zinc Plating	Commercial

(1) Stem is stainless for 8513 and 2-1/2"-3" 8511.

## PRESSURE - TEMPERATURE DATA

VALVES RATED FOR VACUUM SERVICE TO 29 INCHES Hg.



## DIMENSIONS

	UNITS	3/8" DN10	1/2" DN15	3/4" DN20	1" DN25	1-1/4" DN32	1-1/2" DN40	2" DN50	2-1/2" DN65	3" DN80
A (DIA)	INCHES	0.38	0.50	0.76	0.88	1.06	1.31	1.56	2.00	2.31
	mm	10	13	19	22	27	33	40	51	59
B	INCHES	2.05	2.39	3.17	3.71	4.54	5.00	6.25	7.34	8.16
	mm	52	61	81	91	111	123	153	180	200
C	INCHES	0.90	1.07	1.50	1.76	2.27	2.50	3.13	3.67	4.07
	mm	22	26	38	43	56	61	77	90	100
D	INCHES	1.80	1.89	2.13	2.29	2.67	2.85	3.02	3.47	3.88
	mm	44	46	52	56	65	70	74	85	95
E	INCHES	3.81	3.81	4.56	4.56	6.31	6.31	7.19	7.19	7.19
	mm	97	97	116	116	160	160	183	183	183
F	TUBE SIZE	0.51	0.63	0.88	1.13	1.38	1.63	2.13	2.63	3.13
Cv		7	13	35	38	61	87	121	228	305

Note: DN (Diameter Nominal) = Metric equivalent size.

The information presented on this sheet is correct at time of publication. Hammond Valve reserves the right to change design and/or materials without notice. For our Installation, Operation and Maintenance Manual and the most current product information go to [www.hammondvalve.com](http://www.hammondvalve.com). Hammond Valve is a registered trademark of Milwaukee Valve.

⚠ State of California Prop 65 **WARNING:** Cancer and Reproductive Harm. For more information visit [www.p65warnings.ca.gov](http://www.p65warnings.ca.gov).