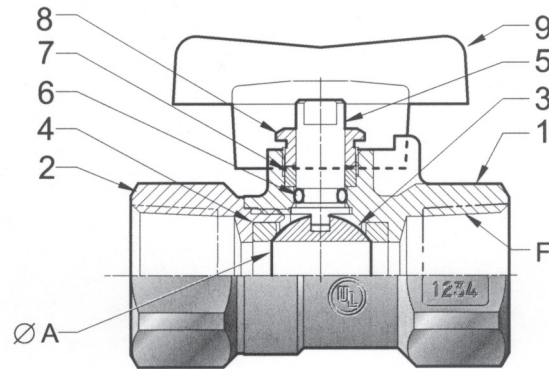
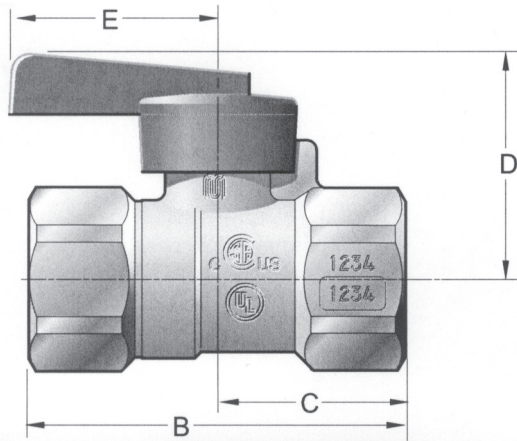


87501

87601



MATERIALS LIST			
ITEM	PART	MATERIALS	ASTM SPEC.
1	Body	Brass, Forged	B283 C37700
2	Tailpiece	Brass, Forged	B283 C37700
3	Ball	Brass	B124 C37700
		Chrome Plating	B456 SC1
4	Ball Seal	Teflon	PTFE
5	Stem	Brass	B124, C37700
6	O-Ring	Buna-N	UL LISTED
7	Packing	Teflon	PTFE
8	Packing Nut	Brass	B124, C37700
9	Handle	Zinc	B86, AG40B

AGENCY APPROVALS



FEATURES

- FORGED TWO-PIECE BRASS
- STANDARD-PORT BALL VALVE
- INTERNATIONAL

DIMENSIONS					
DIMENSIONS		UNITS	1/2"	3/4"	1"
A Ø		INCHES	0.394	0.591	0.787
		mm	10.0	15.0	20.0
B		INCHES	2.244	2.508	2.953
		mm	57.0	63.7	75.0
C		INCHES	1.122	1.256	1.476
		mm	28.5	31.9	37.5
D	875 Lever	INCHES	1.445	1.583	1.776
	mm	45.1			
D	876 T-Handle	INCHES	36.7	40.2	NA
	mm				
E	875 Lever	INCHES	1.378		1.5
	mm		35.0		38.0
E	876 T-Handle	INCHES	0.866		NA
	mm		22.0		
F	THREAD		1/2"	3/4"	1"
	NPT				

The information presented on this sheet is correct at time of publication. Hammond Valve reserves the right to change design and/or materials without notice. For our Installation, Operation and Maintenance Manual and the most current product information go to www.hammondvalve.com. Hammond Valve is a registered trademark of Milwaukee Valve.

⚠ State of California Prop 65 **WARNING:** Cancer and Reproductive Harm. For more information visit www.p65warnings.ca.gov.