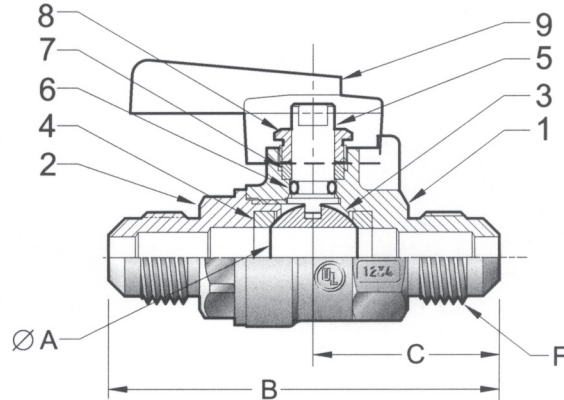
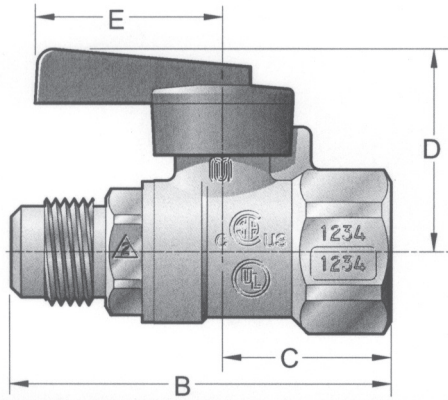


87901

87801



MATERIALS LIST			
ITEM	PART	MATERIALS	ASTM SPEC.
1	Body	Brass, Forged	B283 C37700
2	Tailpiece	Brass, Forged	B283 C37700
3	Ball	Brass	B124 C37700
		Chrome Plating	B456, SC1
4	Ball Seal	Teflon	PTFE
5	Stem	Brass	B124, C37700
6	O-Ring	Buna-	UL LISTED
7	Packing	Teflon	PTFE
8	Packing Nut	Brass	B124, C37700
9	Handle	Zinc	B86, AG40B

AGENCY APPROVALS



FEATURES

- FORGED TWO-PIECE BRASS
- STANDARD-PORT BALL VALVE
- ANSI/SAE FLARE J512 FEATURE
- SIZE MARKED ON OUTSIDE
- INTERNATIONAL

DIMENSIONS					
NOMINAL SIZE					
UNITS		1/2x1/2"	1/2x3/8"	3/8x3/8"	1/2x1/2"
MODEL		879	879	878	878
A Ø	INCHES	0.394	0.394	0.394	0.394
	mm	10.0	10.0	10.0	10.0
B	INCHES	2.937	2.748	2.894	3.213
	mm	74.6	69.8	73.5	81.6
C	INCHES	1.122	1.122	1.398	1.398
	mm	28.5	28.5	35.5	35.5
D	INCHES	1.445			
	mm	36.7			
E	INCHES	1.378			
	mm	35.0			
F	INLET	1/2" NPT	1/2" NPT	3/8" FLARE SAE-J512	1/2" FLARE SAE-J512
	OUTLET	1/2" FLARE SAE-J512	3/8" FLARE SAE-J512	3/8" FLARE SAE-J512	1/2" FLARE SAE-J512

The information presented on this sheet is correct at time of publication. Hammond Valve reserves the right to change design and/or materials without notice. For our Installation, Operation and Maintenance Manual and the most current product information go to www.hammondvalve.com. Hammond Valve is a registered trademark of Milwaukee Valve.

⚠ State of California Prop 65 **WARNING:** Cancer and Reproductive Harm. For more information visit www.p65warnings.ca.gov.