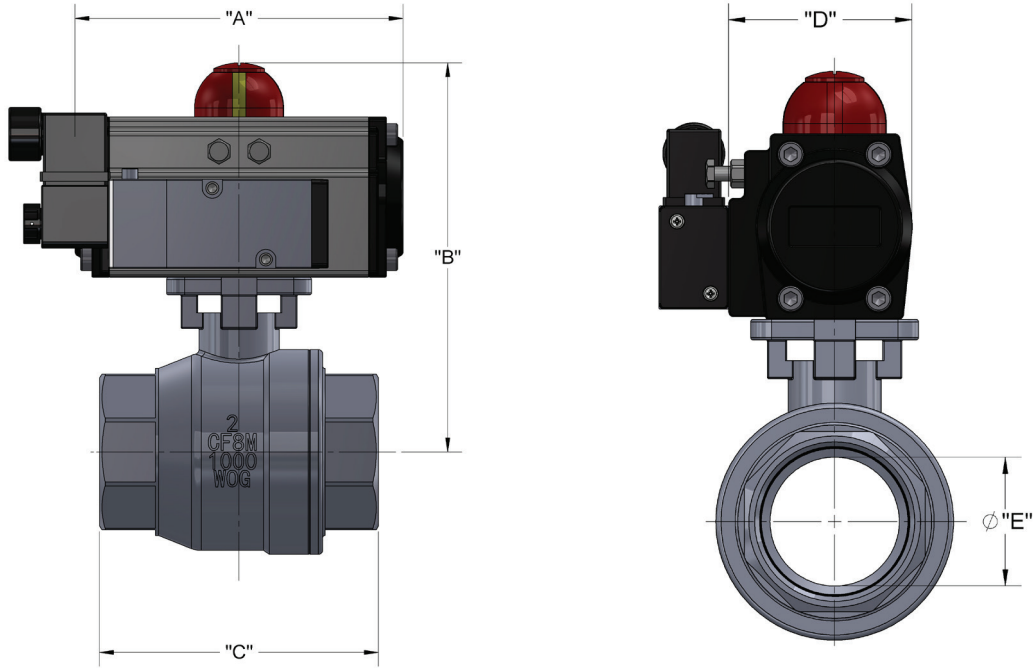


# BA260LDA 1/4"-3"

**Stainless Steel Ball Valve**  
**Full Port**  
**1000 WOG**  
**Air to Air Actuator Pneumatic Actuator**  
**Blow-Out Proof Stem**  
**Specifications: MSS SP110**



- CF8M (316 SS) two-piece full port
- 316 SS ball and stem
- TFM 1600 PTFE seats and packing
- 1000 psi rated @ 100° F
- Temp range: -20° to 450° F 50 psi SWP
- Double-acting actuator sized for 80 psi air supply
- 120V four-way NEMA 4/4x NAMUR mounted solenoid
- For on/off service

AIR TO AIR ACTUATOR ASSEMBLY DIMENSIONS						
Valve	Model	Dimensions in Inches				
Size	Actuator	A "	B "	C "	D "	E "
1/4	MC2C	5.79	5.27	2.64	2.81	0.42
3/8	MC2C	5.79	5.27	2.64	2.81	0.50
1/2	MC2C	5.79	5.27	2.64	2.81	0.59
3/4	MC2C	5.79	5.55	2.76	2.81	0.79
1	MC2C	5.79	5.90	3.35	2.81	0.98
1 1/4	MC2C	5.79	6.10	3.70	2.81	1.26
1 1/2	MC3C	6.61	7.03	4.13	3.27	1.50
2	MC5C	7.24	7.77	4.92	3.74	1.97
2 1/2	MC7C	8.03	9.07	6.10	4.05	2.50
3	MC10C	10.31	9.68	6.81	4.27	2.99

The information presented on this sheet is correct at time of publication. Milwaukee Valve reserves the right to change design and/or materials without notice. For our Installation, Operation and Maintenance Manual and the most current product information go to [www.milwaukeevalve.com](http://www.milwaukeevalve.com).  
 ⚠ State of California Prop 65 **WARNING:** Cancer and Reproductive Harm. For more information visit [www.p65warnings.ca.gov](http://www.p65warnings.ca.gov).

