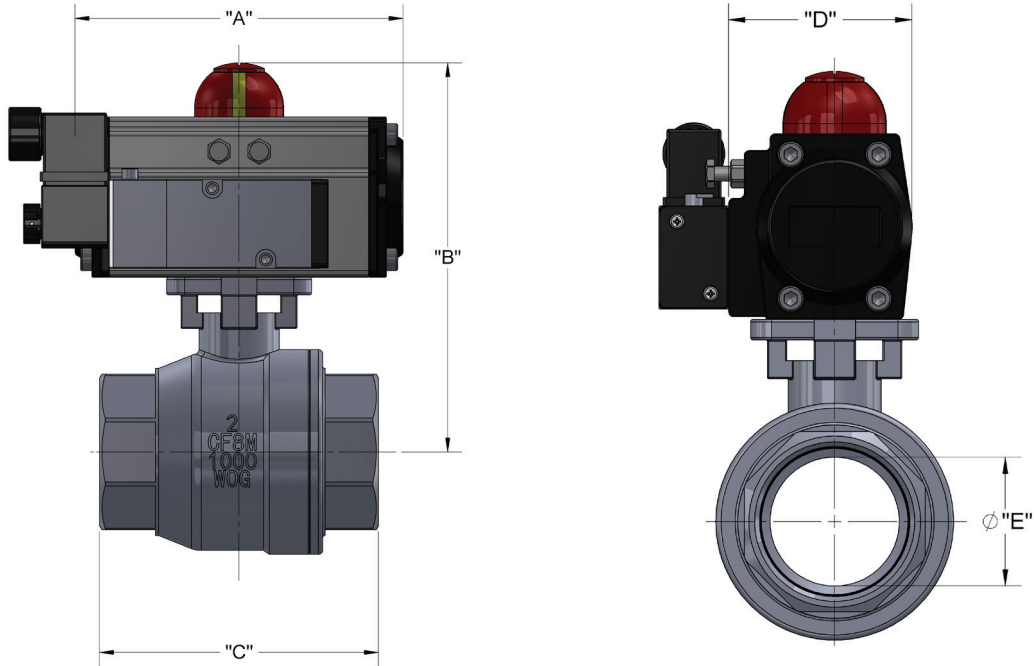


# BA260LDB 1/4"-3"

Stainless Steel Ball Valve  
 Full Port  
 1000 WOG  
 Spring Return (Fail Closed) Pneumatic Actuator  
 Blow-Out Proof Stem  
 Specifications: MSS SP110



- CF8M (316 SS) two-piece full port
- 316 SS ball and stem
- TFM 1600 PTFE seats and packing
- 1000 psi rated @ 100° F
- Temp range: -20° to 450° F 50 psi SWP
- Spring Return (fail closed) actuator size for 80 psi air supply
- 120V three-way NEMA 4/4x NAMUR mounted solenoid
- For on/off service

AIR TO AIR ACTUATOR ASSEMBLY DIMENSIONS						
Valve	Model	Dimensions in Inches				
Size	Actuator	A "	B "	C "	D "	E "
1/4	MC2S4C	5.79	5.27	2.64	2.81	0.42
3/8	MC2S4C	5.79	5.27	2.64	2.81	0.50
1/2	MC2S4C	5.79	5.27	2.64	2.81	0.59
3/4	MC3S4C	6.61	7.03	2.76	3.27	0.79
1	MC5SC4	7.24	7.77	3.35	3.74	0.98
1 1/4	MC5SC4	7.24	7.77	3.70	3.74	1.26
1 1/2	MC7SC4	8.03	9.07	4.13	4.05	1.50
2	MC10SC4	10.31	9.07	4.92	4.27	1.97
2 1/2	MC29SC4	11.65	10.89	6.10	5.59	2.50
3	MC29SC4	11.65	11.18	6.81	5.59	2.99

The information presented on this sheet is correct at time of publication. Milwaukee Valve reserves the right to change design and/or materials without notice. For our Installation, Operation and Maintenance Manual and the most current product information go to [www.milwaukeevalve.com](http://www.milwaukeevalve.com).  
 ⚠ State of California Prop 65 **WARNING:** Cancer and Reproductive Harm. For more information visit [www.p65warnings.ca.gov](http://www.p65warnings.ca.gov).