

BA-491S* 1/2"-2"

Brass Ball Valve

Two Piece

Full Port

200 psig @ 250°F†

Press x Threaded Ends

With Extension Stem & Memory Stop

Blow-Out Proof Stem

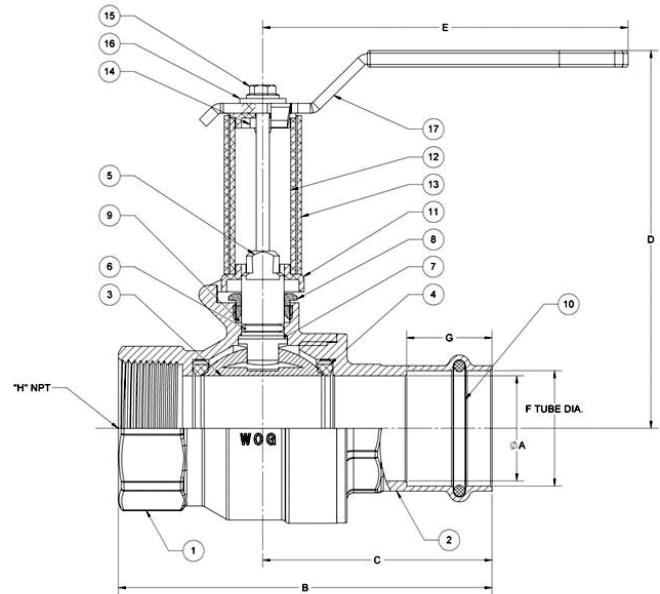


*Not intended for use in potable water.

MATERIALS LIST

ITEM	PART	MATERIALS	ASTM SPEC.
1	Body	Brass, Forged	B283
2	Tailpiece	Brass, Forged	B283
3	Ball	316 S.S.	A276
4	Ball Seat	PTFE	Commercial
5	Stem	316 S.S.	A276
6	Stem O-Ring	Buna-N	
7	Thrust Washer	PTFE	Commercial
8	Gland Nut	Brass	B124
9	Packing	PTFE	Commercial
10	Handle	Steel w/Zinc Plating	B633
11	Handle Bolt	Steel w/Zinc Plating	Commercial
12	Tube O-Ring	EPDM	D2000 NSF61
13	Stem Stop Plate	Steel w/Zinc Plating	Commercial
14	Internal Extension Tube	Steel w/Zinc Plating	Commercial
15	External Extension Tube	Steel w/Zinc Plating	Commercial
16	Upper Stem Adaptor	Steel w/Zinc Plating	Commercial
17	Memory Stop	Steel w/Zinc Plating	Commercial

*UltraPress Valves are designed and qualified for use in copper tubing systems only, Types K, L, & M per ASTM B88.



DIMENSIONS

	UNITS	1/2" DN15	3/4" DN20	1" DN25	1-1/4" DN32	1-1/2" DN40	2" DN50
A-PORT DIA	INCHES	0.51	0.76	0.98	1.26	1.50	2.01
	mm	13	19	25	32	38	51
B	INCHES	2.76	3.58	3.98	4.51	5.50	6.44
	mm	70	91	101	115	140	164
C	INCHES	1.63	1.92	2.18	2.75	3.46	3.46
	mm	41	49	55	70	88	88
D	INCHES	3.55	4.08	4.28	4.53	4.65	5.13
	mm	90	104	109	115	118	130
E	INCHES	3.28	4.38	4.38	4.38	6.97	6.97
	mm	83	111	111	111	177	177
F TUBE Ø	INCHES	0.63	0.88	1.13	1.38	1.64	2.13
	mm	16	22	29	35	42	54
G	INCHES	0.83	0.99	0.99	1.02	1.42	1.58
	mm	21	25	25	26	36	40
H	THRD SIZE	1/2" NPT	3/4" NPT	1" NPT	1-1/4" NPT	1-1/2" NPT	2" NPT
Cv		18	40	72	112	161	287

The information presented on this sheet is correct at time of publication. Milwaukee Valve reserves the right to change design and/or materials without notice. For our Installation, Operation and Maintenance Manual and the most current product information go to www.milwaukeevalve.com.

⚠ State of California Prop 65 **WARNING:** Cancer and Reproductive Harm. For more information visit www.p65warnings.ca.gov.

