

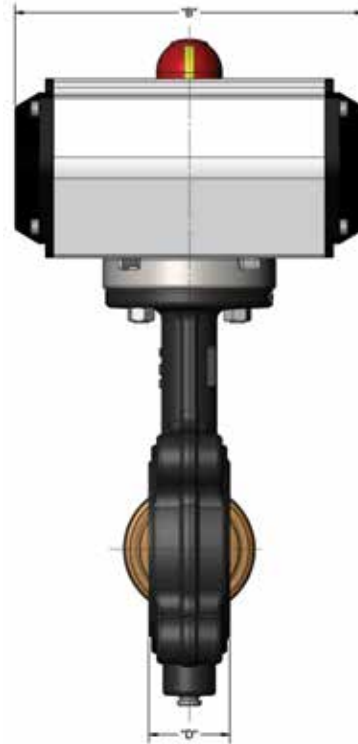
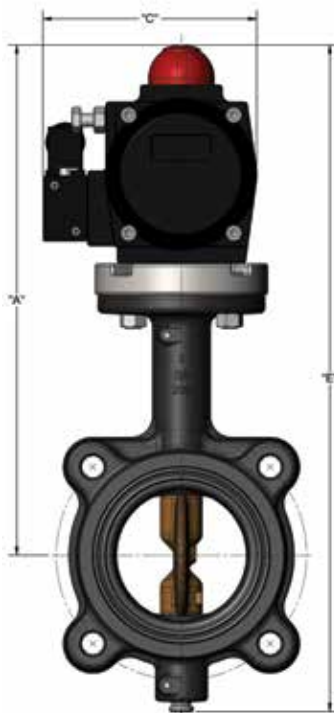


ABS Type Approved;
Cat. A
CFR-46



Tested and Certified by
IAFMOR&T to NSF/ANSI 372
and NSF/ANSI 61

Iron Butterfly Valve for Potable Water
200 psi Non-Shock WOG
Bi-Directional Dead End Service to 200 psi Max
Air to Air Pneumatic Actuator
Specifications: API-609 MSS SP-67 Type 1



- Cast Iron
- Lug Pattern
- Aluminum Bronze Disc
- EPDM Liner
- 200 WOG
- Temp Range: 0° to 250° F for HVAC service
- Double-acting actuator sized for 80 psi air supply
- 120V four-way NEMA 4/4x NAMUR mounted solenoid
- For on/off service

DIMENSIONS

AIR TO AIR ACTUATOR ASSEMBLY						
Valve	Model	Dimensions in Inches				
Size	Actuator	A "	B "	C "	D "	E "
2	MC3C	10.48	6.61	2.83	1.69	13.54
2 1/2	MC3C	10.98	6.61	2.83	1.81	14.29
3	MC3C	11.23	6.61	2.83	1.81	14.98
4	MC5C	12.45	7.24	3.19	2.07	16.70
5	MC5C	12.98	7.24	3.19	2.19	17.92
6	MC10C	14.14	10.31	3.86	2.19	19.70
8	MC29C	17.70	11.65	5.02	2.38	23.26
10	MC29C	18.88	11.65	5.02	2.69	26.76
12	MC58C	21.97	18.03	6.22	3.06	31.22

***Note:** Lead free refers to the wetted surface of the pipe, fittings and fixtures in potable water systems that have a weighted average lead content $\leq 0.25\%$. Source: California Health and Safety Code (116875).

The information presented on this sheet is correct at time of publication. Milwaukee Valve reserves the right to change design and/or materials without notice. For our Installation, Operation and Maintenance Manual and the most current product information go to www.milwaukeevalve.com.

⚠ State of California Prop 65 **WARNING:** Cancer and Reproductive Harm. For more information visit www.p65warnings.ca.gov.

