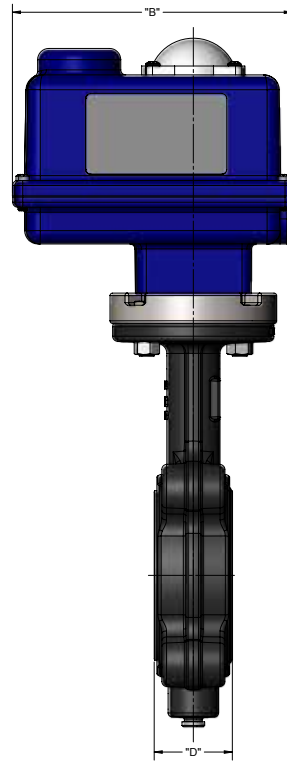
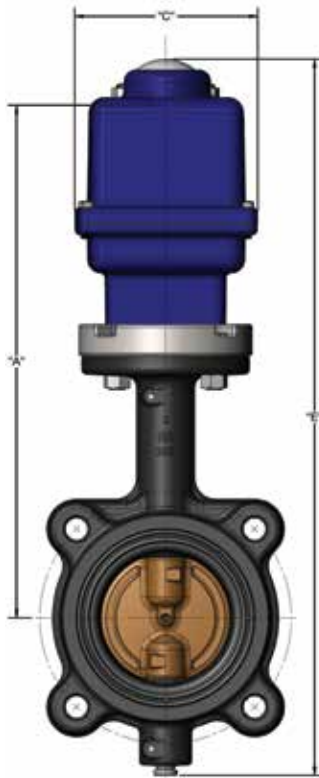




ABS Type Approved;  
Cat. A  
CFR-46



Tested and Certified by  
IAFMOR&T to NSF/ANSI 372  
and NSF/ANSI 61



- Cast Iron
- Lug Pattern
- Aluminum Bronze Disc
- EPDM Liner
- 200 WOG
- Temp Range: 0° to 250° F for HVAC service
- 120VAC NEMA 4 rated electric actuator
- 25% duty cycle
- For on/off service
- Two limit switches
- Manual override
- Visual position indicator

**DIMENSIONS**

120 VAC ELECTRIC ACTUATOR ASSEMBLY						
Valve	Model	Dimensions in Inches				
Size	Actuator	A "	B "	C "	D "	E "
2	MCRB200I	12.55	6.88	4.25	1.69	15.61
2 1/2	MCRB200I	13.05	6.88	4.25	1.81	16.36
3	MCRB200I	13.30	6.88	4.25	1.81	17.05
4	MCRB675I	18.26	7.00	7.00	2.07	22.51
5	MCRB675I	19.15	7.00	7.00	2.19	24.09
6	MCRB1000I	19.62	7.00	7.00	2.19	25.18
8	MCRB1500I	21.00	7.00	7.00	2.38	26.56
10	AT25-25	18.93	16.25	27.38	2.69	26.81
12	AT50-25	25.30	16.25	28.38	3.06	34.55

**\*Note:** Lead free refers to the wetted surface of the pipe, fittings and fixtures in potable water systems that have a weighted average lead content  $\leq 0.25\%$ . Source: California Health and Safety Code (116875).

The information presented on this sheet is correct at time of publication. Milwaukee Valve reserves the right to change design and/or materials without notice. For our Installation, Operation and Maintenance Manual and the most current product information go to [www.milwaukeevalve.com](http://www.milwaukeevalve.com).

⚠ State of California Prop 65 **WARNING:** Cancer and Reproductive Harm. For more information visit [www.p65warnings.ca.gov](http://www.p65warnings.ca.gov).

