

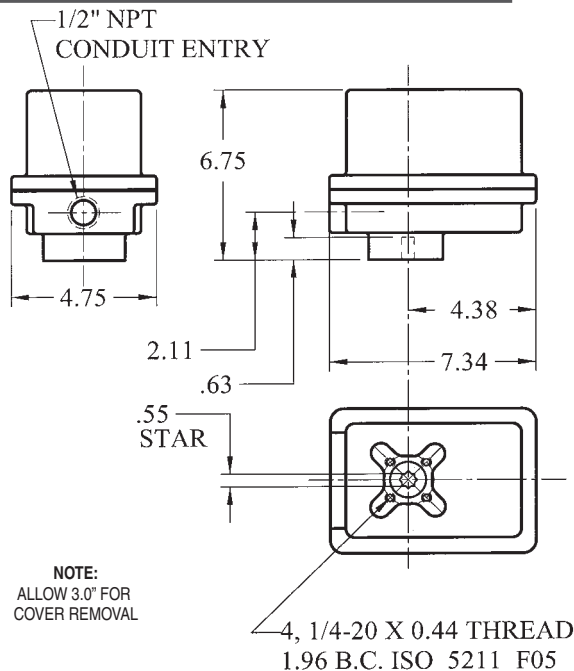
# MCRB200I/MCRB300I

Select This Enclosure When Positioner, Timer, Brake or Speed Control is Required



## SPECIFICATIONS:

Output Torque.....	200 Lb.-In. 300 Lb.-In.
Cycle Time.....	5 Sec/90° Rotation
Duty Cycle.....	25%
Optional Extended Duty.....	75%
Cycle Time (W/Ext. Duty).....	10 Sec/90° Rotation
Motor.....	115Vac, 60Hz, 1Ph. PSC (Optional Voltages Available)
Thermal Over-Load Protection.....	Std.
Enclosure.....	NEMA 4
Enclosure Material.....	Cast Aluminum
Enclosure Coating.....	Thermally Bonded Polyester Powder
Mounting Dim.....	ISO 5211 F05
Fasteners.....	S.S.
Output Shaft.....	S.S.
Manual Override.....	Not Available
Friction Brake.....	Std.
Wired for light indication.....	Std.
Terminal Strip Connection.....	AWG 14
Lock Rotor Current.....	SR, .75 Amp SX, .99 Amp
Weight.....	8 Lbs.
Lubrication.....	Permanent
Installation.....	Universal
Temperature.....	-40° F. to +150° F.
Heater Required at 0° F. and Below	
Switches: 15 A 1/2 HP 125, 250 Vac 0.5 A, 125 Vdc	



# MCR W/NEMA 4/7

CSA Certified File No. LR79567

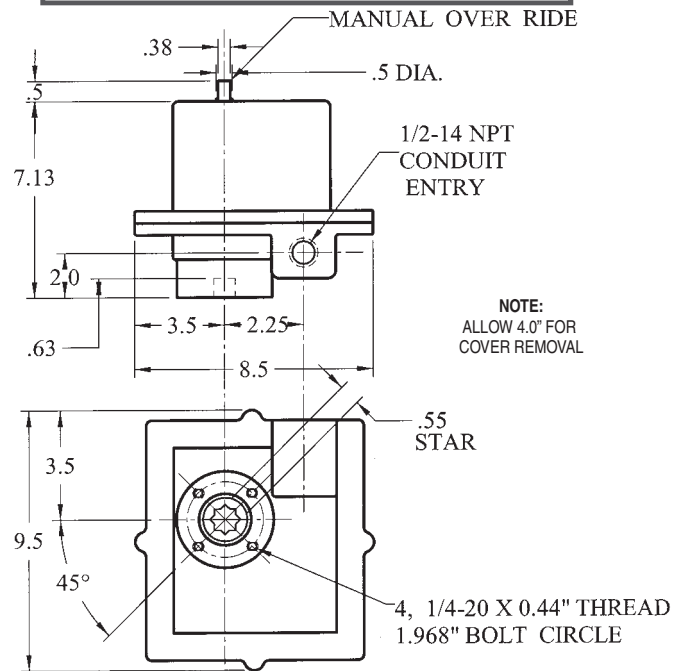
Class I Groups C &

Class II Groups E, F &  
G Div. I & II



## SPECIFICATIONS:

Output Torque .....	200 Lb.-In. 300 Lb.-In.
Cycle Time.....	5 Sec/90° Rotation
Duty Cycle.....	25%
Optional Extended Duty.....	75%
Cycle Time (W/Ext. Duty).....	10 Sec/90° Rotation
Motor.....	115Vac, 60Hz, 1Ph. PSC (Optional Voltages Available)
Thermal Over-Load Protection.....	Std.
Enclosure.....	NEMA 7
Enclosure Material.....	Cast Aluminum
Enclosure Coating.....	Thermally Bonded Polyester Powder
Mounting Dim.....	ISO 5211 F05
Fasteners.....	S.S.
Output Shaft.....	S.S.
Manual Override.....	Optional
Friction Brake.....	Std.
Wired for light indication.....	Std.
Terminal Strip Connection.....	AWG 14
Lock Rotor Current.....	SR, .75 Amp SX, .99 Amp
Weight.....	15 Lbs.
Lubrication.....	Permanent
Installation.....	Universal
Temperature.....	-40° F. to +140° F.
Heater Required at 0° F. and Below	
Switches: 15 A 1/2 HP 125, 250 Vac 0.5 A, 125 Vdc	



The information presented on this sheet is correct at the time of publication. Milwaukee Valve / Hammond Valve reserves the right to change design, and/or material specifications without notice. For the most current information access [www.milwaukeevalve.com](http://www.milwaukeevalve.com) or [www.hammondvalve.com](http://www.hammondvalve.com)

