

MCR400I, MCR675I, MCR1000I, MCR1500I, MCRB400I, MCRB675I, MCRB1000I, MCRB1500I

CSA Certified



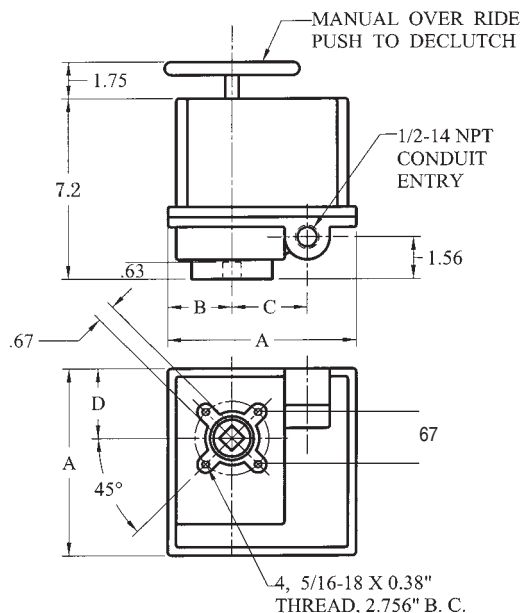
SPECIFICATIONS:

| | |
|---|---|
| Output Torque..... | 400 Lb.-In. |
| | 675 Lb.-In. |
| | 1000 Lb.-In. |
| | 1500 Lb.-In. |
| Cycle Time..... | 10 Sec/90° Rotation |
| | 15 Sec/90° Rotation |
| | 30 Sec/90° Rotation |
| Duty Cycle..... | 25% |
| Motor..... | 115Vac, 60Hz, 1Ph. PSC (Optional Voltages Available) |
| Thermal Over-Load Protection..... | Std. |
| Enclosure..... | NEMA 4 |
| Enclosure Option..... | NEMA 7 |
| Enclosure Material..... | Cast Aluminum |
| Mounting Dim..... | ISO 5211 F07 |
| Enclosure Coating..... | Thermally Bonded Polyester Powder |
| Fasteners..... | S.S. |
| Output Shaft..... | S.S. |
| Manual Override..... | Std. NEMA 4, Opt. NEMA 7 |
| Friction Brake..... | Std. |
| Wired for light indication..... | Std. |
| Terminal Strip Connection..... | AWG 14 |
| Lock Rotor Current..... | .75 Amp |
| | 1.1 Amps |
| Weight..... | 13 Lbs. NEMA 4, 16 Lbs. NEMA 7 |
| Lubrication..... | Permanent |
| Installation..... | Universal |
| Temperature..... | -40° F. to +150° F. |
| Heater Required at 0° F. and Below | |
| Switches: 15 A 1/2 HP 125, 250 Vac 0.5 A, 125 Vdc | |

NOTE: MCRB - Includes Motor Brake

| | Enclosure | |
|---|-----------|--------|
| | NEMA 4 | NEMA 7 |
| A | 7.0 | 8.5 |
| B | 2.38 | 3.13 |
| C | 2.81 | 2.81 |
| D | 2.63 | 3.38 |

Dimensions in inches



NOTE:
ALLOW 4.0\"/>

