



Brass Ball Valve For Potable Water
Two Piece
Full Port
200 psig @ 250°F†
Press x Threaded Ends With
Extension Stem & Memory Stop
Blow-Out Proof Stem

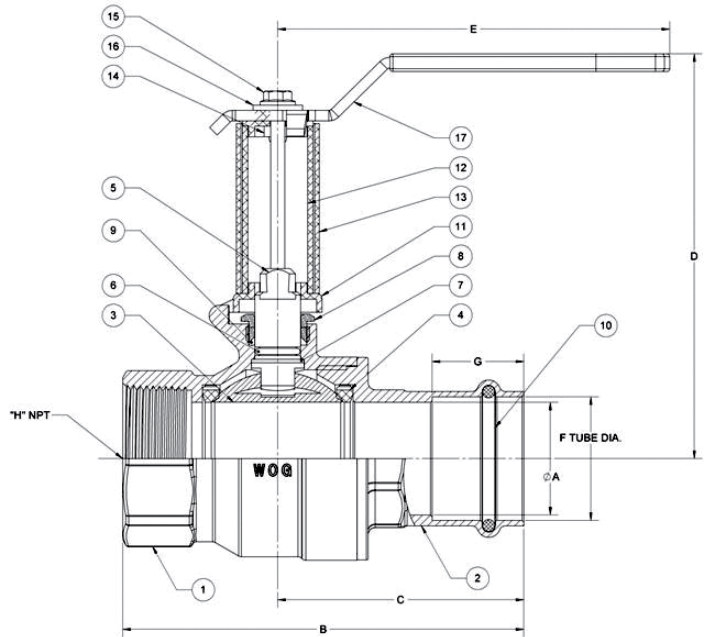
UPBA-491S* 1/2"-2"



MATERIALS LIST

ITEM	PART	MATERIALS	ASTM SPEC.
1	Body	Brass, Forged	B283 C27450
2	Tailpiece	Brass, Forged	B283 C27450
3	Ball	316 Stainless Steel	A276 S31600
4	Ball Seat	PTFE	Commercial
5	Stem	316 Stainless Steel	A276 S31600
6	Stem O-Ring	Buna-N	D2000
7	Thrust Washer	PTFE	Commercial
8	Gland Nut	Brass	B124
9	Packing	PTFE	Commercial
10	Handle	Zinc Plated Steel	B633
11	Handle Bolt	Zinc Plated Steel	Commercial
12	Tube O-Ring	EPDM	D2000
13	Stem Stop Plate	Zinc Plated Steel	Commercial
14	Internal Extension Tube	Zinc Plated Steel	Commercial
15	External Extension Tube	Zinc Plated Steel	Commercial
16	Upper Stem Adapter	Zinc Plated Steel	Commercial
17	Memory Stop	Zinc Plated Steel	Commercial

*Ultra Press Valves are designed and qualified for use in copper tubing systems only, Types K, L, & M per ASTM B88.



DIMENSIONS

	UNITS	1/2"	3/4"	1"	1-1/4"	1-1/2"	2"
		DN15	DN20	DN25	DN32	DN40	DN50
A-PORT Ø	INCHES	0.51	0.76	0.98	1.26	1.50	2.01
	mm	13	19	25	32	38	51
B	INCHES	2.76	3.58	3.98	4.51	5.50	6.44
	mm	70	91	101	115	140	164
C	INCHES	1.63	1.92	2.18	2.75	3.46	3.46
	mm	41	49	55	70	88	88
D	INCHES	3.55	4.08	4.28	4.53	4.65	5.13
	mm	90	104	109	115	118	130
E	INCHES	3.28	4.38	4.38	4.38	6.97	6.97
	mm	83	111	111	111	177	177
F TUBE Ø	INCHES	0.63	0.88	1.13	1.38	1.64	2.13
	mm	16	22	29	35	42	54
G	INCHES	0.83	0.99	0.99	1.02	1.42	1.58
	mm	21	25	25	26	36	40
H		1/2" NPT	3/4" NPT	1" NPT	1 1/4" NPT	1 1/2" NPT	2" NPT
Cv		18	40	72	112	161	287

†Non-Shock

Note: Lead free refers to the wetted surface of the pipe, fittings and fixtures in potable water systems that have a weighted average lead content ≤0.25%. Source: California Health and Safety Code (116875).

The information presented on this sheet is correct at time of publication. Milwaukee Valve reserves the right to change design and/or materials without notice. For our Installation, Operation and Maintenance Manual and the most current product information go to www.milwaukeevalve.com.

⚠ State of California Prop 65 **WARNING:** Cancer and Reproductive Harm. For more information visit www.p65warnings.ca.gov.

