

BA-480SH* 1/2" - 3/4"



Tested and Certified by IAMPO R&T to:
NSF/ANSI/CAN Z1157.

Brass Ball Valve
Two Piece
Full Port
250 psig @ 250°F†
Press x Hose Ends
Blow-Out Proof Stem

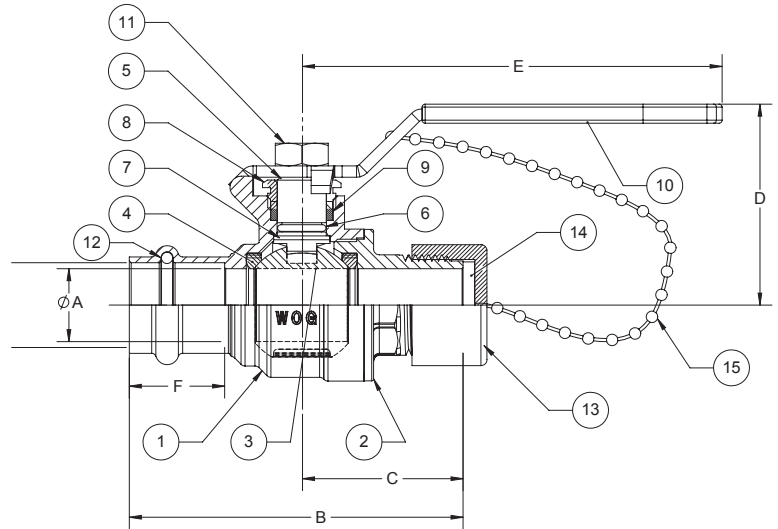
† Non-Shock

*Not intended for use in potable water.

MATERIALS LIST

ITEM	PART	MATERIALS	ASTM SPEC.
1	Body	Brass, Forged	B283
2	Tailpiece	Brass, Forged	B283
3	Ball	316 S.S.	A276
4	Ball Seat	PTFE	Commercial
5	Stem	316 S.S.	A276
6	Stem O-Ring	Buna-N	
7	Thrust Washer	PTFE	Commercial
8	Gland Nut	Brass	B124
9	Packing	PTFE	Commercial
10	Handle	Steel x/Zinc Plating	Commercial
11	Handle Nut	Steel x/Zinc Plating	Commercial
12	Tube O-Ring	Plastic	Commercial
13	Hose Cap	Polypropylene	
14	Cap Gasket	EPDM	
15	Chain	Brass Bead	

* UltraPress Valves are designed and qualified for use in copper tubing systems only, Types K, L, & M per ASTM B88.



**Do not pressurize cap.
Pressure not to exceed 40 psi.**

DIMENSIONS

	UNITS	1/2" DN15	3/4" DN20
A	INCHES	0.51	0.76
	mm	13	19
B	INCHES	3.06	3.5
	mm	78	90
C	INCHES	1.41	1.66
	mm	36	42
D	INCHES	1.62	2.01
	mm	41	51
E	INCHES	3.15	4.33
	mm	80	110
F	INCHES	0.82	0.99
	mm	21	25
Cv		18	40

NOTE: Pressure / Temperature ratings shown are for valve only. Hose side pressure and temperature limit is based on connected hose and is the users responsibility.

The information presented on this sheet is correct at time of publication. Hammond Valve reserves the right to change design and/or materials without notice. For our Installation, Operation and Maintenance Manual and the most current product information go to www.hammondvalve.com. Hammond Valve is a registered trademark of Milwaukee Valve.

⚠ State of California Prop 65 **WARNING:** Cancer and Reproductive Harm. For more information visit www.p65warnings.ca.gov