

BA-480SH* 1/2"-3/4"

Brass Ball Valve
Two Piece
Full Port
200 psig @ 250°F†
Press x Hose Ends
Blow-Out Proof Stem



*Not intended for use in potable water.

MATERIALS LIST

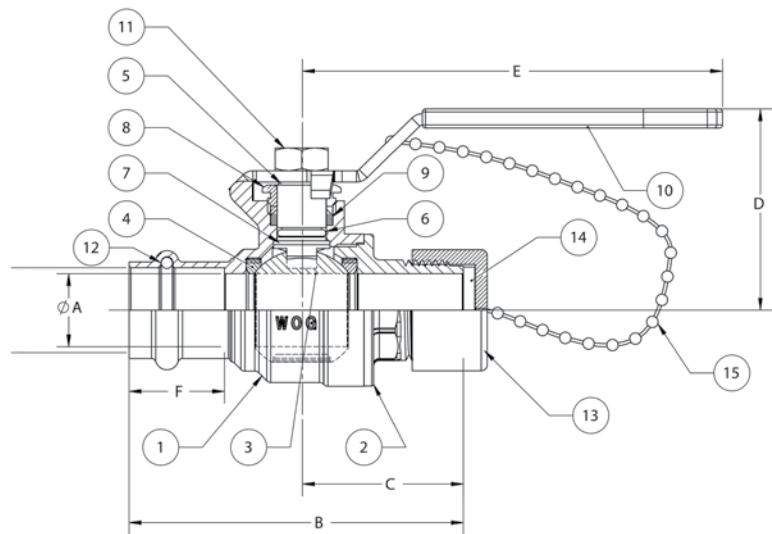
ITEM	PART	MATERIALS	ASTM SPEC.
1	Body	Brass, Forged	B283
2	Tailpiece	Brass, Forged	B283
3	Ball	316 S.S.	A276
4	Ball Seat	PTFE	Commercial
5	Stem	316 S.S.	A276
6	Stem O-Ring	Buna-N	
7	Thrust Washer	PTFE	Commercial
8	Gland Nut	Brass	B124
9	Packing	PTFE	Commercial
10	Handle	Steel w/Zinc Plating	Commercial
11	Handle Nut	Steel w/Zinc Plating	Commercial
12	Tube O-Ring	Plastic	Commercial
13	Hose Cap	Polypropylene	
14	Cap Gasket	EPDM	
15	Chain	Brass Bead	

*UltraPress Valves are designed and qualified for use in copper tubing systems only, Types K, L, & M per ASTM B88.

DIMENSIONS

	UNITS	1/2" DN15	3/4" DN20
A-PORT DIA	INCHES	0.51	0.76
	mm	13	19
B	INCHES	3.06	3.50
	mm	78	90
C	INCHES	1.41	1.66
	mm	36	42
D	INCHES	1.62	2.01
	mm	41	51
E	INCHES	3.15	4.33
	mm	80	110
F-TUBE DIA	INCHES	0.82	0.99
	mm	21	25
Cv		18	40

NOTE: Pressure / Temperature ratings shown are for valve only. Hose side pressure and temperature limit is based on connected hose and is the users responsibility.



**Do not pressurize cap.
Pressure not to exceed 40 psi.**

The information presented on this sheet is correct at time of publication. Hammond Valve reserves the right to change design and/or materials without notice. For our Installation, Operation and Maintenance Manual and the most current product information go to www.hammondvalve.com. Hammond Valve is a registered trademark of Milwaukee Valve.

⚠ State of California Prop 65 **WARNING:** Cancer and Reproductive Harm. For more information visit www.p65warnings.ca.gov.

OPTIONS

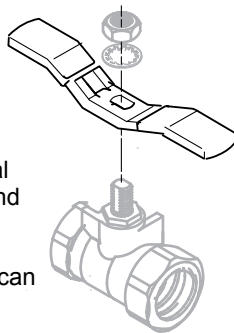
8201/8211
8901/8911
BA480B/BA490B

02 Memory Stop

The "02" Memory Stop provides an adjustable stop when the valve is used in a balancing application. The memory stop can be set to any preset opening point.

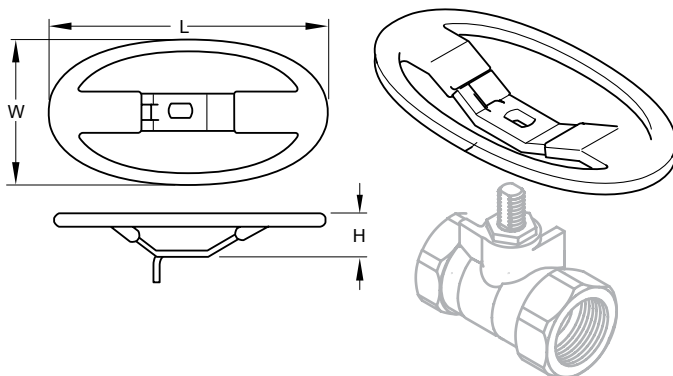
03 Tee Handle

Tee handles offer the same installation space savings as oval handles, with a slightly shorter end to end dimension. Tee handles require more handle force to operate, so accidental openings can be reduced.



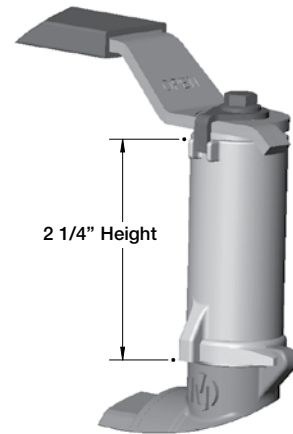
04 Oval Handle

Oval handles can be installed where a standard lever handle might encounter interference from adjoining piping. Oval handles can also prevent accidental valve operations, since they have less projection than a lever handle, and require more turning force to operate.



06 Extension Handle With Memory Stop

The "06" stem extension is simple and effective design. This option is designed for installations where pipe insulation would make standard handles inoperable.

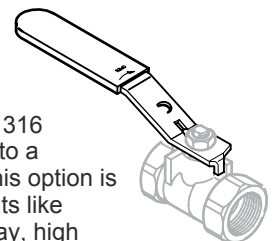


07 Locking Lever Handle



08 Stainless Steel Handle

The "08" handle option adds a 316 stainless steel handle and nut to a standard bronze ball valve. This option is intended for harsh environments like areas subject to salt water spray, high humidity, cleaning chemicals, etc.



The information presented on this sheet is correct at time of publication. Hammond Valve reserves the right to change design and/or materials without notice. For our Installation, Operation and Maintenance Manual and the most current product information go to www.hammondvalve.com. Hammond Valve is a registered trademark of Milwaukee Valve.

⚠ State of California Prop 65 **WARNING:** Cancer and Reproductive Harm. For more information visit www.p65warnings.ca.gov.