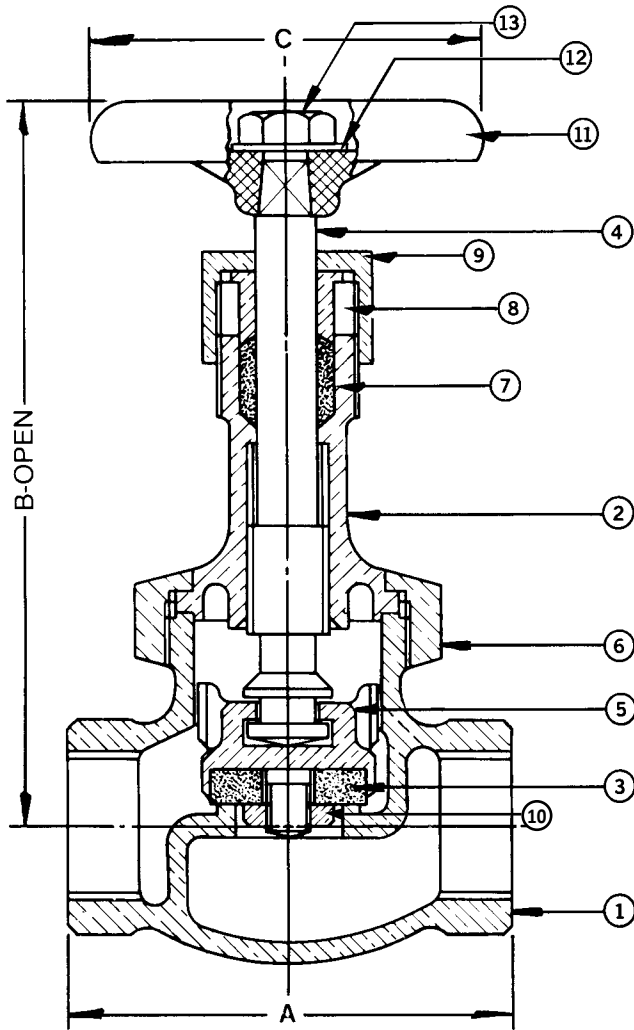


# IB413T 1/8" - 3"

**Bronze Globe Valve  
150 SWP - 300 WOG †  
Teflon Disc  
Union Bonnet • Threaded Ends  
Conforms to: MSS SP-80**



Note: Not intended for use in potable water.

## MATERIAL LIST

No.	PART	MATERIAL	SPECIFICATION
1	Body	Bronze	ASTM B62
2	Bonnet	Bronze	ASTM B62
3	Disc	Teflon	
4	Stem	Bronze	ASTM B62
5	Disc Holder	Bronze	ASTM B16 1/4" to 3/4" ASTM B62 1" to 3"
6	Union Bonnet Nut	Bronze	ASTM B62
7	Packing	Graphite	Commercial
8	Gland	Brass	ASTM B 124 C37700
9	Packing Nut	Brass	ASTM B 283 C37700
10	Disc Nut	Bronze	Commercial
11	Handwheel	Mall. Iron	Commercial
12	Name Plate	Aluminum	Commercial
13	Handwheel Nut	Brass	Commercial

## DIMENSIONS - INCHES/MILLIMETERS

Units	Size	A	B	C	C <sub>v</sub>
Inches mm	1/8	2.06 52	3.94 100	2.00 51	0.61
Inches mm	1/4	2.06 52	3.94 100	2.00 51	1.16
Inches mm	3/8	2.06 52	4.25 108	2.00 51	2.21
Inches mm	1/2	2.44 62	4.56 116	2.50 64	3.64
Inches mm	3/4	2.94 75	5.19 132	2.75 70	6.65
Inches mm	1	3.44 87	5.50 140	3.44 87	11.10
Inches mm	1 1/4	3.88 98	6.25 159	3.75 95	20.00
Inches mm	1 1/2	4.50 114	7.13 181	3.75 95	28.00
Inches mm	2	5.75 146	8.88 226	4.75 121	48.00
Inches mm	2 1/2	6.75 172	10.63 270	5.50 140	70.00
Inches mm	3	8.00 203	12.13 308	6.00 152	111.00

† Non-Shock

The information presented on this sheet is correct at time of publication. Hammond Valve reserves the right to change design and/or materials without notice. For our Installation, Operation and Maintenance Manual and the most current product information go to [www.hammondvalve.com](http://www.hammondvalve.com). Hammond Valve is a registered trademark of Milwaukee Valve.

⚠ State of California Prop 65 **WARNING:** Cancer and Reproductive Harm. For more information visit [www.p65warnings.ca.gov](http://www.p65warnings.ca.gov).