

IB413T P2 1/2"-2"

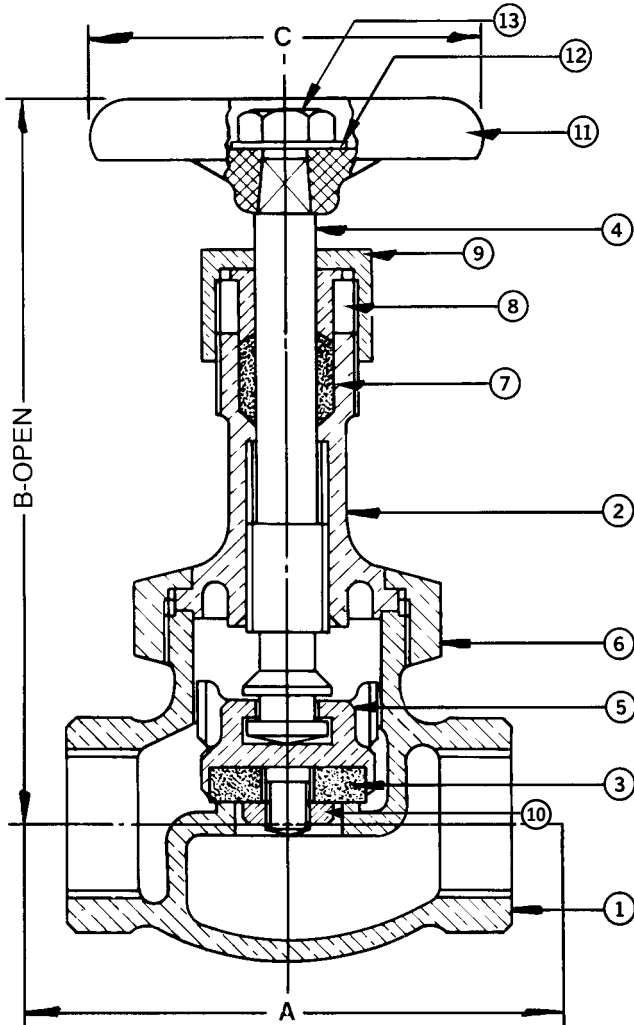
ULTRAPRESS®

Bronze Globe Valve
200 psig @ 250°F †

Teflon Disc

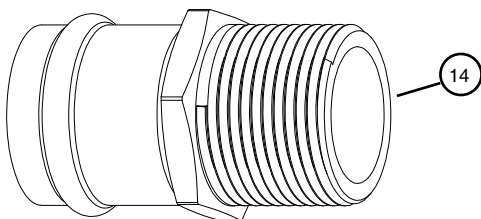
Union Bonnet • Press Ends

Conforms to: MSS SP-80



With Press Ends

Note: Not intended for use in potable water.



Press End Adapter (4151 Series)

MATERIAL LIST			
No.	PART	MATERIAL	SPECIFICATION
1	Body	Bronze	ASTM B62
2	Bonnet	Bronze	ASTM B62
3	Disc	Teflon	
4	Stem	Bronze	ASTM B62
5	Disc Holder	Bronze	ASTM B16 1/4" to 3/4" ASTM B62 1" to 2"
6	Union Bonnet Nut	Bronze	ASTM B62
7	Packing	Graphite	Commercial
8	Gland	Brass	ASTM B 124 C37700
9	Packing Nut	Brass	ASTM B 124 C37700
10	Disc Nut	Bronze	Commercial
11	Handwheel	Mall. Iron	Commercial
12	Name Plate	Aluminum	Commercial
13	Handwheel Nut	Brass	Commercial
14	Press Adapters	Brass Fitted W/EPDM O-Ring	ASTM C27450

DIMENSIONS - INCHES/MILLIMETERS						
Units	Size	STD Insertion Depth	A	B	C	C _v
Inches	1/2	0.87	5.44	4.56	2.50	3.64
mm		22	138	116	64	
Inches	3/4	0.98	6.52	5.19	2.75	6.65
mm		25	166	132	70	
Inches	1	0.98	7.44	5.50	3.44	11.10
mm		25	189	140	87	
Inches	1 1/4	1.02	7.95	6.25	3.75	20.00
mm		26	202	159	95	
Inches	1 1/2	1.42	8.98	7.13	3.75	28.00
mm		36	228	181	95	
Inches	2	1.58	11.75	8.88	4.75	48.00
mm		40	298	226	121	

† Non-Shock

The information presented on this sheet is correct at time of publication. Hammond Valve reserves the right to change design and/or materials without notice. For our Installation, Operation and Maintenance Manual and the most current product information go to www.hammondvalve.com. Hammond Valve is a registered trademark of Milwaukee Valve.

⚠ State of California Prop 65 **WARNING:** Cancer and Reproductive Harm. For more information visit www.p65warnings.ca.gov.