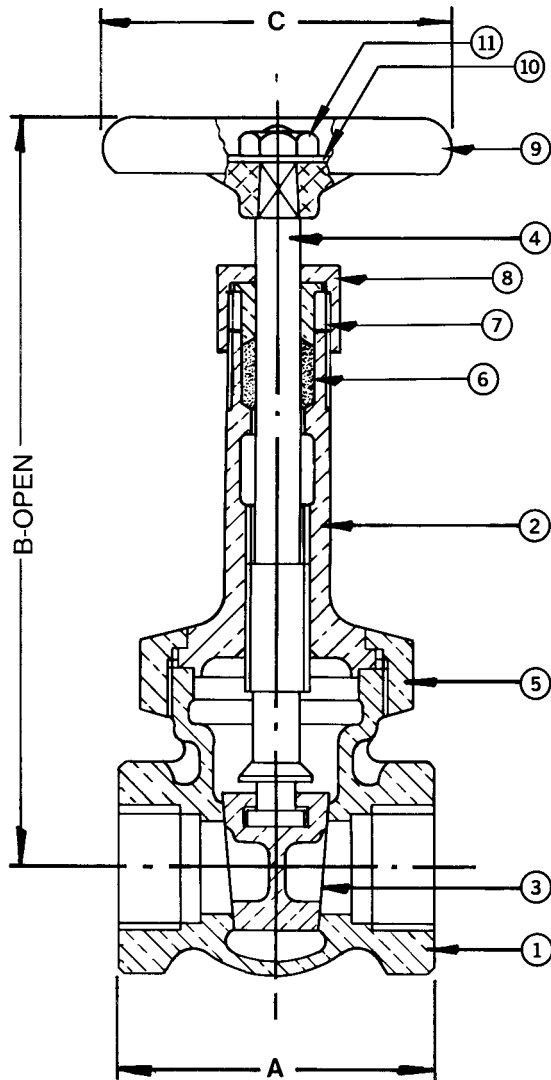


IB629 1/4"-3"

**Bronze Gate Valve
150 SWP - 300 WOG †
Solid Wedge Disc • Rising Stem
Union Bonnet • Threaded Ends
Conforms to: MSS SP-80**



Note: Not intended for use in potable water.

MATERIAL LIST			
No.	PART	MATERIAL	SPECIFICATION
1	Body	Bronze	ASTM B62
2	Bonnet	Bronze	ASTM B62
3	Wedge Disc	Bronze	ASTM B62
4	Stem	Bronze	ASTM B62
5	Union Bonnet Nut	Bronze	ASTM B62
6	Packing	Graphite	Commercial
7	Gland	Brass	Commercial
8	Packing Nut	Brass	Commercial
9	Handwheel	Mall. Iron	Commercial
10	Name Plate	Aluminum	Commercial
11	Handwheel Nut	Brass	Commercial

DIMENSIONS - INCHES/MILLIMETERS					
Units	Size	A	B	C	C _v
Inches mm	1/4	1.75 45	5.13 130	2.00 51	5.6
Inches mm	3/8	1.88 48	5.13 130	2.00 51	10.7
Inches mm	1/2	2.13 54	5.50 140	2.50 64	17.6
Inches mm	3/4	2.25 57	6.25 159	2.75 70	32.0
Inches mm	1	2.56 65	7.19 183	2.75 70	54.0
Inches mm	1 1/4	2.78 71	8.56 218	3.44 87	97.0
Inches mm	1 1/2	3.25 83	9.63 245	3.75 95	135.0
Inches mm	2	3.63 92	11.75 299	4.25 108	230.0
Inches mm	2 1/2	4.50 114	14.50 368	4.75 121	337.0
Inches mm	3	4.88 124	16.75 426	5.25 133	536.0

† Non-Shock

The information presented on this sheet is correct at time of publication. Hammond Valve reserves the right to change design and/or materials without notice. For our Installation, Operation and Maintenance Manual and the most current product information go to www.hammondvalve.com. Hammond Valve is a registered trademark of Milwaukee Valve.

⚠ State of California Prop 65 **WARNING:** Cancer and Reproductive Harm. For more information visit www.p65warnings.ca.gov.