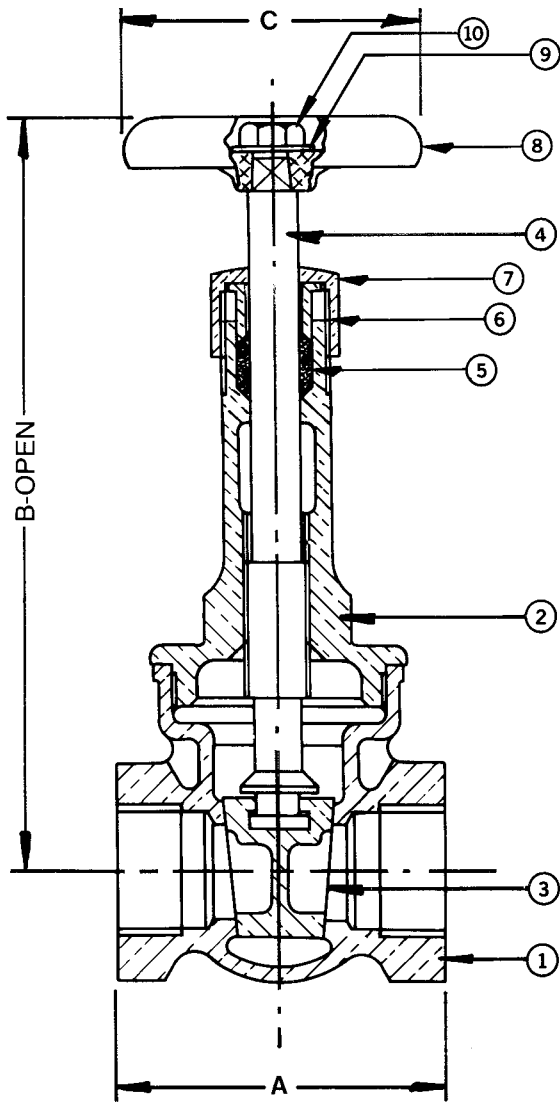


IB641 1/4"-4"

**Bronze Gate Valve
150 SWP - 300 WOG †
Solid Wedge Disc • Rising Stem
Threaded Bonnet • Threaded Ends
Conforms to: MSS SP-80***



Note: Not intended for use in potable water.

MATERIAL LIST			
No.	PART	MATERIAL	SPECIFICATION
1	Body	Bronze	ASTM B62
2	Bonnet	Bronze	ASTM B62
3	Wedge Disc	Bronze	ASTM B62
4	Stem	Bronze	ASTM B62
5	Packing	Graphite	Commercial
6	Gland	Brass	ASTM B124 C37700
7	Packing Nut	Brass	ASTM B283 C37700
8	Handwheel	Mall. Iron	Commercial
9	Name Plate	Aluminum	Commercial
10	Handwheel Nut	Brass	Commercial

DIMENSIONS - INCHES/MILLIMETERS					
Units	Size	A	B	C	C _v
Inches	1/4	1.75	4.38	2.00	5.6
mm		45	111	51	
Inches	3/8	1.81	4.38	2.00	10.7
mm		46	111	51	
Inches	1/2	2.00	4.38	2.00	17.6
mm		51	111	51	
Inches	3/4	2.18	5.84	2.50	32.0
mm		55	149	64	
Inches	1	2.56	7.06	2.75	54.0
mm		65	180	70	
Inches	1 1/4	2.78	8.78	3.44	97.0
mm		71	223	87	
Inches	1 1/2	2.81	9.50	3.75	135.0
mm		72	241	95	
Inches	2	3.31	11.50	3.75	230.0
mm		84	292	95	
Inches	2 1/2	4.19	14.31	4.75	337.0
mm		106	364	121	
Inches	3	4.63	16.63	5.25	536.0
mm		118	422	133	
Inches	4	5.50	15.50	5.25	960.0
mm		140	394	133	

† Non-Shock

* 4" is not covered in MSS SP-80. It has split wedge and bolted bonnet.

The information presented on this sheet is correct at time of publication. Hammond Valve reserves the right to change design and/or materials without notice. For our Installation, Operation and Maintenance Manual and the most current product information go to www.hammondvalve.com. Hammond Valve is a registered trademark of Milwaukee Valve.

⚠ State of California Prop 65 **WARNING:** Cancer and Reproductive Harm. For more information visit www.p65warnings.ca.gov.