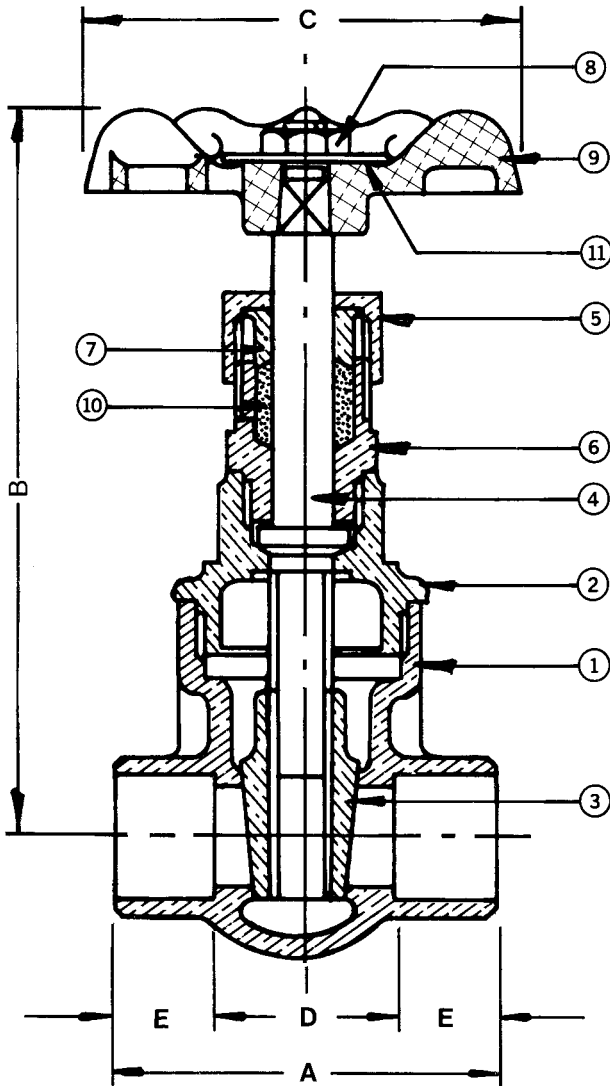


IB647 3/8"-4"

Bronze Gate Valve
125 SWP - 200 WOG †
Non-Rising Stem 3/8" - 3" • Rising Stem 4"
Solid Wedge Disc
Threaded Bonnet • Solder Ends
Conforms to: MSS SP-80*

| MATERIAL LIST | | | |
|----------------|---------------|------------|------------------|
| No. | PART | MATERIAL | SPECIFICATION |
| 1 | Body | Bronze | ASTM B62 |
| 2 | Bonnet | Bronze | ASTM B62 |
| 3 | Wedge | Bronze | ASTM B62 |
| 4 | Stem | Bronze | ASTM B62 |
| 5 | Packing Nut | Brass | ASTM B283 C37700 |
| 6 | Stuffing Box | Brass | ASTM B283 C37700 |
| 7 ¹ | Gland | Brass | ASTM B124 C37700 |
| 8 | Handwheel Nut | Brass | ASTM B16 |
| 9 | Handwheel | Mall. Iron | Commercial |
| 10 | Packing | Graphite | Commercial |
| 11 | Name Plate | Sh. Alum | Commercial |

¹ Not used on 1/2" and smaller



Note: Not intended for use in potable water.

| DIMENSIONS - INCHES/MILLIMETERS | | | | | | | |
|---------------------------------|-------|-------------|--------------|-------------|------------|------------|----------------|
| Units | Size | A | B | C | D | E | C _v |
| Inches mm | 3/8 | 1.63 41 | 3.56 91 | 2.00 51 | 0.88 22 | 0.38 10 | 10.7 |
| Inches mm | 1/2 | 1.88 48 | 3.56 91 | 2.00 51 | 0.88 22 | 0.50 13 | 17.6 |
| Inches mm | 3/4 | 2.50 64 | 4.75 121 | 2.50 64 | 1.00 25 | 0.75 19 | 32.0 |
| Inches mm | 1 | 3.00 76 | 5.00 127 | 2.75 70 | 1.19 30 | 0.91 23 | 54.0 |
| Inches mm | 1 1/4 | 3.25 83 | 5.88 149 | 3.44 87 | 1.31 33 | 0.97 25 | 97.0 |
| Inches mm | 1 1/2 | 3.63 92 | 6.50 165 | 3.75 95 | 1.44 37 | 1.09 28 | 135.0 |
| Inches mm | 2 | 4.31 110 | 7.44 189 | 3.75 95 | 1.63 41 | 1.34 34 | 230.0 |
| Inches mm | 2 1/2 | 4.81 122 | 9.13 232 | 4.75 121 | 1.88 48 | 1.47 37 | 337.0 |
| Inches mm | 3 | 5.44 138 | 10.38 264 | 5.25 133 | 2.13 54 | 1.66 42 | 536.0 |
| Inches mm | 4 | 7.25 184 | 15.50 394 | 5.25 133 | 2.93 75 | 2.16 55 | 960.0 |

† Non-Shock

* 4" is not covered in MSS SP-80. It has a split wedge and bolted bonnet.

The information presented on this sheet is correct at time of publication. Hammond Valve reserves the right to change design and/or materials without notice. For our Installation, Operation and Maintenance Manual and the most current product information go to www.hammondvalve.com. Hammond Valve is a registered trademark of Milwaukee Valve.

⚠ State of California Prop 65 **WARNING: Cancer and Reproductive Harm.** For more information visit www.p65warnings.ca.gov.