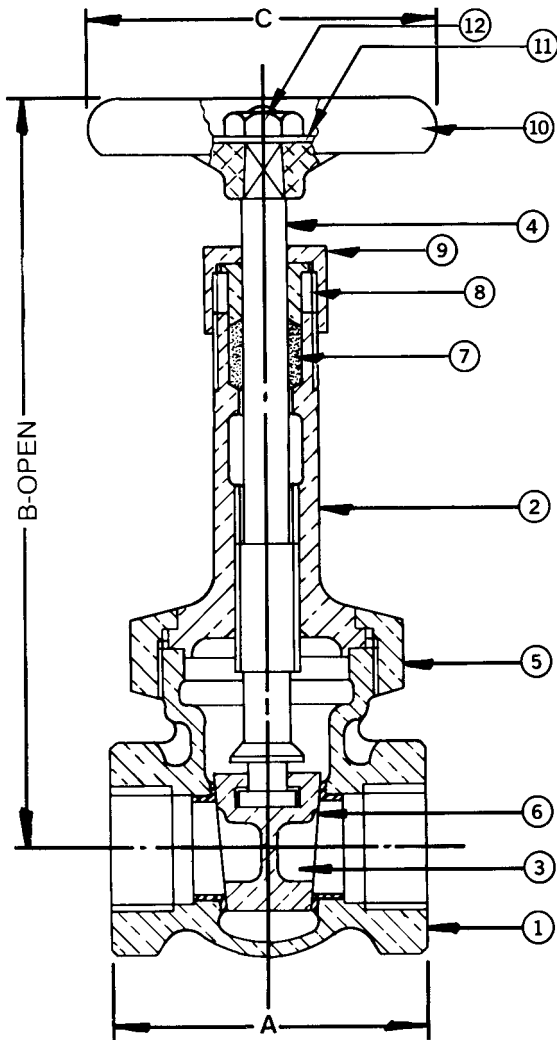


IB650 1/4"-2"

Bronze Gate Valve
200 SWP - 400 WOG †
Solid Wedge Disc • Rising Stem
Union Bonnet • Threaded Ends • Cu-Ni Seat
Conforms to: MSS SP-80



MATERIAL LIST			
No.	PART	MATERIAL	SPECIFICATION
1	Body	Bronze	ASTM B61
2	Bonnet	Bronze	ASTM B61
3	Wedge Disc	Bronze	ASTM B61
4	Stem	Bronze	ASTM B61
5	Union Bonnet Nut	Bronze	ASTM B61
6	Seat Ring	Cu-Ni	90-10
7	Packing	Graphite	Commercial
8	Gland	Brass	ASTM B 124 C37700
9	Packing Nut	Brass	ASTM B 283 C37700
10	Handwheel	Mall. Iron	Commercial
11	Name Plate	Aluminum	Commercial
12	Handwheel Nut	Brass	Commercial

DIMENSIONS - INCHES/MILLIMETERS					
Units	Size	A	B	C	C _v
Inches	1/4	1.81	5.13	2.00	5.6
mm		46	130	51	
Inches	3/8	1.88	5.13	2.00	10.7
mm		48	130	51	
Inches	1/2	2.25	5.50	2.50	17.6
mm		57	140	64	
Inches	3/4	2.50	6.25	2.75	32.0
mm		64	159	70	
Inches	1	2.88	7.19	2.75	54.0
mm		73	183	70	
Inches	1 1/4	3.25	8.56	3.44	97.0
mm		83	218	87	
Inches	1 1/2	3.50	9.56	3.75	135.0
mm		89	243	95	
Inches	2	3.75	11.75	4.25	230.0
mm		95	299	108	

† Non-Shock

Note: Not intended for use in potable water.

The information presented on this sheet is correct at time of publication. Hammond Valve reserves the right to change design and/or materials without notice. For our Installation, Operation and Maintenance Manual and the most current product information go to www.hammondvalve.com. Hammond Valve is a registered trademark of Milwaukee Valve.

⚠ State of California Prop 65 **WARNING:** Cancer and Reproductive Harm. For more information visit www.p65warnings.ca.gov.