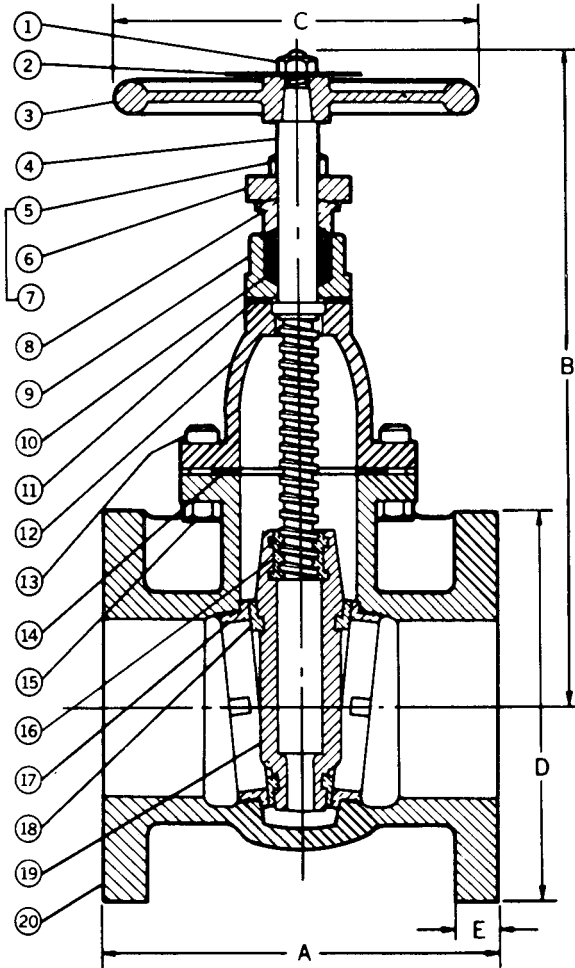


# IR1138-HI 2"-12"

**Iron Gate Valve**  
**125 SWP - 200 WOG †**  
**Non-Rising Stem • Solid Wedge Disc**  
**Bolted Bonnet • Flanged Ends**  
**Conforms to: MSS SP-70**

Flange shape and drilling to specification ASME B 16.1 (125 lb.)



MATERIAL LIST			
No.	PART	MATERIAL	SPECIFICATION
1	Handwheel Nut	Steel	ASTM A307
2	Name Plate	Aluminum	
3	Handwheel	Cast Iron	ASTM A126, Class B
4	Stem	Brass	ASTM B16
5	Gland Follower Nut	Steel	ASTM A307
6	Gland Follower	Ductile Iron	ASTM A536
7	Gland Follower Bolt	Steel	ASTM A307
8	Packing Gland	Cast Bronze	ASTM B62
9	Stuffing Box	Cast Iron	ASTM A126, Class B
10	Packing	Graphite	
11	Stuffing Box Gasket	Graphite	
12	Bonnet	Cast Iron	ASTM A126, Class B
13	Body Bolt	Steel	ASTM A307
14	Body Gasket	Graphite	
15	Body Nut	Steel	ASTM A307
16	Wedge Bushing	Bronze	ASTM B62
17	Seat Ring	Bronze	ASTM B62
18	Wedge Face Ring	Bronze	ASTM B62
19	Wedge	Cast Iron	ASTM A126, Class B
20	Body	Cast Iron	ASTM A126, Class B
21	Stuffing Box Nut (not shown)	Steel	ASTM A307

DIMENSIONS - INCHES/MILLIMETERS							
Units	Size	A	B	C	D	E	C <sub>v</sub>
Inches mm	2	7.00 178	12.00 305	7.00 178	6.00 152	0.63 16	215
Inches mm	2 1/2	7.50 191	13.25 337	7.00 178	7.00 178	0.69 17	335
Inches mm	3	8.00 203	13.50 343	8.00 203	7.50 191	0.75 19	510
Inches mm	4	9.00 229	17.00 432	10.00 254	9.00 229	0.94 24	945
Inches mm	5	10.00 254	18.00 457	12.00 305	10.00 254	0.94 24	1525
Inches mm	6	10.50 267	22.00 559	12.00 305	11.00 279	1.00 25	2250
Inches mm	8	11.50 292	26.50 673	14.00 356	13.50 343	1.13 29	4150
Inches mm	10	13.00 330	30.00 762	16.00 406	16.00 406	1.19 30	6700
Inches mm	12	14.00 356	35.00 889	18.00 457	19.00 483	1.25 32	9925

Suffix HI – Signifies International Valves.

† Non-Shock

The information presented on this sheet is correct at time of publication. Hammond Valve reserves the right to change design and/or materials without notice. For our Installation, Operation and Maintenance Manual and the most current product information go to [www.hammondvalve.com](http://www.hammondvalve.com). Hammond Valve is a registered trademark of Milwaukee Valve.

⚠ State of California Prop 65 **WARNING:** Cancer and Reproductive Harm. For more information visit [www.p65warnings.ca.gov](http://www.p65warnings.ca.gov).