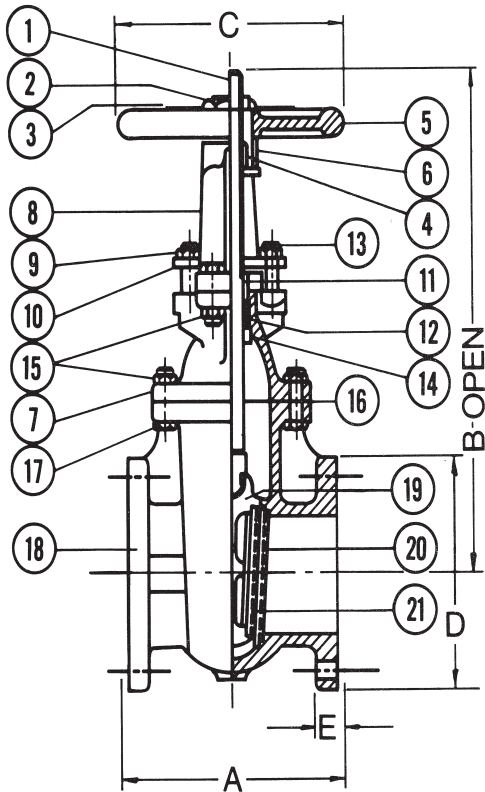


# IR1140-HI 14"-24"

**Iron Gate Valve**  
**100 SWP -150 WOG †**  
**OS & Y • Solid Wedge Disc**  
**Bolted Bonnet • Flanged Ends**  
**Conforms to: MSS SP-70**

Flange shape and drilling to specification ASME/ANSI B16.1 (125 lb.)



MATERIAL LIST			
No.	PART	MATERIAL	SPECIFICATION
1	Stem	Brass	ASTM B16
2	Handwheel Nut	Ductile Iron	
3	Name Plate	Aluminum	
4	Yoke Bushing	Cast Bronze	ASTM B62
5	Handwheel	Cast Iron	ASTM A126, Class B
6	Yoke Bushing Nut	Cast Iron	ASTM A126, Class B
7	Bonnet	Cast Iron	ASTM A126, Class B
8	Yoke	Cast Iron	ASTM A126, Class B
9	Gland Follower Nut	Steel	ASTM A307-B
10	Gland Follower	Ductile Iron	ASTM A536
11	Packing Gland	Cast Bronze	ASTM B62
12	Packing	Graphite	
13	Gland Follower Bolt	Steel	ASTM A307-B
14	Backseat Bushing	Cast Bronze	ASTM B62
15	Nut	Steel	ASTM A307-B
16	Body Gasket	Graphite	
17	Bolt	Steel	ASTM A307-B
18	Body	Cast Iron	ASTM A126, Class B
19	Wedge	Cast Iron	ASTM A126, Class B
20	Seat Ring	Cast Bronze	ASTM B62
21	Wedge Face Ring	Cast Bronze	ASTM B62

DIMENSIONS - INCHES/MILLIMETERS							
Units	Size	A	B	C	D	E	C <sub>v</sub>
Inches mm	14	15.00 381	62.00 1575	20.00 508	21.00 533	1.38 35	13800
Inches mm	16	16.00 406	71.00 1803	22.00 559	23.50 570	1.44 37	18375
Inches mm	18	17.00 432	75.00 1905	24.00 610	25.00 635	1.56 40	23600
Inches mm	20	18.00 457	87.00 2210	24.00 610	28.00 699	1.69 43	29600
Inches mm	24	20.00 508	100.00 2540	30.00 762	32.00 813	1.88 48	43570

Suffix HI – Signifies International Valves.

† Non-Shock

The information presented on this sheet is correct at time of publication. Hammond Valve reserves the right to change design and/or materials without notice. For our Installation, Operation and Maintenance Manual and the most current product information go to [www.hammondvalve.com](http://www.hammondvalve.com). Hammond Valve is a registered trademark of Milwaukee Valve.

⚠ State of California Prop 65 **WARNING:** Cancer and Reproductive Harm. For more information visit [www.p65warnings.ca.gov](http://www.p65warnings.ca.gov).