

IR1140-UL 2 1/2"-8"

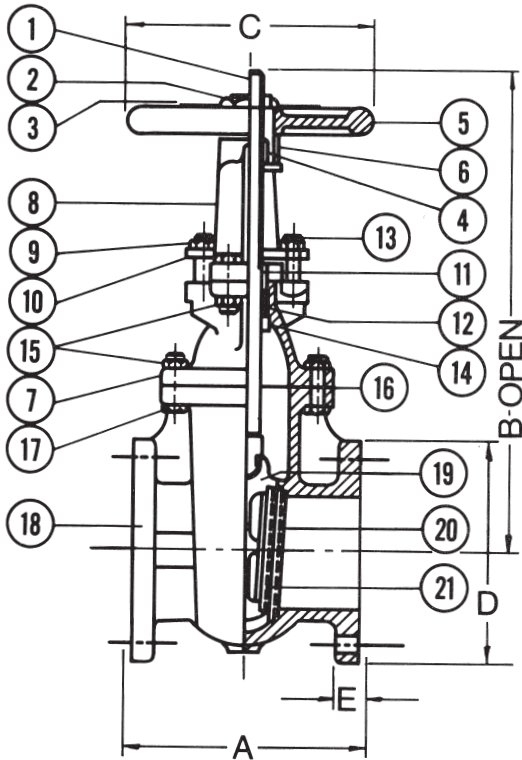
Iron Gate Valve
175 WOG †

NEW YORK CITY BOARD OF STANDARDS and APPROVAL

Approvals: U.L. Listed, F.M.,
N.Y.C. B.S.A. No. 278-90-SM



OS & Y • Solid Wedge Disc
Bolted Bonnet • Flanged Ends



MATERIAL LIST			
No.	PART	MATERIAL	SPECIFICATION
1	Stem	Silicon Brass	1 ASTM B98
2	Handwheel Nut	Ductile Iron	ASTM A636
3	Name Plate	Aluminum	
4	Yoke Bushing	Brass	ASTM B16
5	Handwheel	Cast Iron	ASTM A126, Class B
6 ²	Yoke Bushing Nut	Cast Iron	ASTM A126, Class B
7 ³	Bonnet	Cast Iron	ASTM A126, Class B
8 ³	Yoke	Cast Iron	ASTM A126, Class B
9	Gland Follower Nut	Steel	ASTM A563
10	Gland Follower	Ductile Iron	ASTM A536
11	Packing Gland	Brass	ASTM B16
12	Packing	Graphite	
13	Gland Follower Bolt	Steel	ASTM A307-B
14	Backseat Bushing	Brass	ASTM B16
15	Nut	Steel	ASTM A563
16	Body Gasket	Aramid Fiber/NBR	
17	Bolt	Steel	ASTM A 307-B
18	Body	Cast Iron	ASTM A126, Class B
19	Wedge	Cast Iron	ASTM A126, Class B
20	Seat Ring	Cast Bronze	ASTM B62
21	Wedge Face Ring	Cast Bronze	ASTM B62

- ¹ 8" is Brass ASTM B-16
- ² Sizes 2 1/2" to 6" inch only.
- ³ Sizes 2 1/2" and 3" made with yoke integral with bonnet.
Sizes 4" through 8" made with separate yoke bolted to bonnet.

DIMENSIONS - INCHES/MILLIMETERS							
Units	Size	A	B	C	D	E	C _v
Inches	2 1/2	7.50	16.00	7.00	7.00	0.69	335
mm		191	406	178	178	17	
Inches	3	8.00	18.50	7.50	7.50	0.75	510
mm		203	470	191	191	19	
Inches	4	9.00	22.25	8.00	9.00	0.94	945
mm		229	565	203	229	24	
Inches	6	10.50	30.50	11.75	11.00	1.00	2250
mm		267	775	298	279	25	
Inches	8	11.50	38.38	13.50	13.50	1.13	4150
mm		292	975	343	343	29	

The information presented on this sheet is correct at time of publication. Hammond Valve reserves the right to change design and/or materials without notice. For our Installation, Operation and Maintenance Manual and the most current product information go to www.hammondvalve.com. Hammond Valve is a registered trademark of Milwaukee Valve.

⚠ State of California Prop 65 **WARNING:** Cancer and Reproductive Harm. For more information visit www.p65warnings.ca.gov.