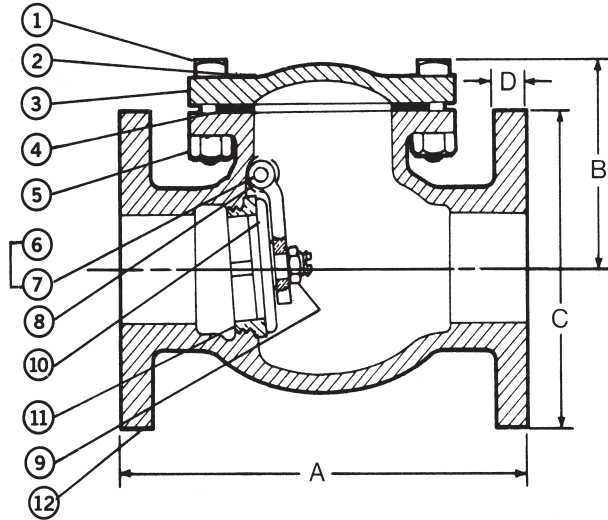


IR1937-HI 2"-12"

Iron Check Valve
125 SWP - 200 WOG †
3% Nickel Iron Body
Bolted Bonnet • Flanged Ends
S.S. Trim
Conforms to: MSS SP-71

This check valve may be installed in both horizontal and vertical lines with upward flow or in any intermediate position.



MATERIAL LIST			
No.	PART	MATERIAL	SPECIFICATION
1	Bolt	Steel	ASTM A307 Gr. B
2	Name Plate	Aluminum	
3	Cover	3% Nickel Iron	ASTM A126, Class B
4	Cover Gasket	Graphite	
5	Nut	Steel	
6	Side Plug		ASTM A276-316
7	Hanger Pin		ASTM A276-316
8	Hanger		ASTM A351-CF8M
9	Disc Nut		ASTM A194-8M
10	Disc		ASTM A351-CF8M
11	Seat Ring		ASTM A351-CF8M
12	Body	3% Nickel Iron	ASTM A126, Class B

Note 1: The check valve may be installed in both horizontal and vertical lines with upward flow or in any intermediate position.

Note 2: On pump discharge, the preferred check valve is an in-line spring loaded, swing design with lever and weight. Install these valves as far as possible from the pump and elbows and at a minimum length of 5 times the pipe diameter. See 1400 and 1800 series.

Note 3: The wetted surface of this product contacted by consumable water contains less than one quarter of one percent (.25%) of lead by weight. Meets the requirements of Senate law S.3874.

DIMENSIONS - INCHES/MILLIMETERS						
Units	Size	A	B	C	D	C _v
Inches mm	2	8.00 203	3.94 100	6.00 152	0.63 16	143
Inches mm	2 1/2	8.50 216	4.50 114	7.00 178	0.69 17	242
Inches mm	3	9.50 241	5.13 130	7.50 191	0.75 19	366
Inches mm	4	11.50 292	6.13 156	9.00 229	0.94 24	572
Inches mm	5	13.00 330	6.81 173	10.00 254	0.94 24	894
Inches mm	6	14.00 356	8.00 203	11.00 279	1.00 25	1287
Inches mm	8	19.50 495	9.44 240	13.50 343	1.13 29	2288
Inches mm	10	24.50 622	12.06 306	16.00 406	1.19 30	3574
Inches mm	12	27.50 699	16.13 410	19.00 483	1.25 32	5147

Suffix HI – Signifies International Valves.

The information presented on this sheet is correct at time of publication. Hammond Valve reserves the right to change design and/or materials without notice. For our Installation, Operation and Maintenance Manual and the most current product information go to www.hammondvalve.com. Hammond Valve is a registered trademark of Milwaukee Valve.

⚠ State of California Prop 65 **WARNING:** Cancer and Reproductive Harm. For more information visit www.p65warnings.ca.gov.