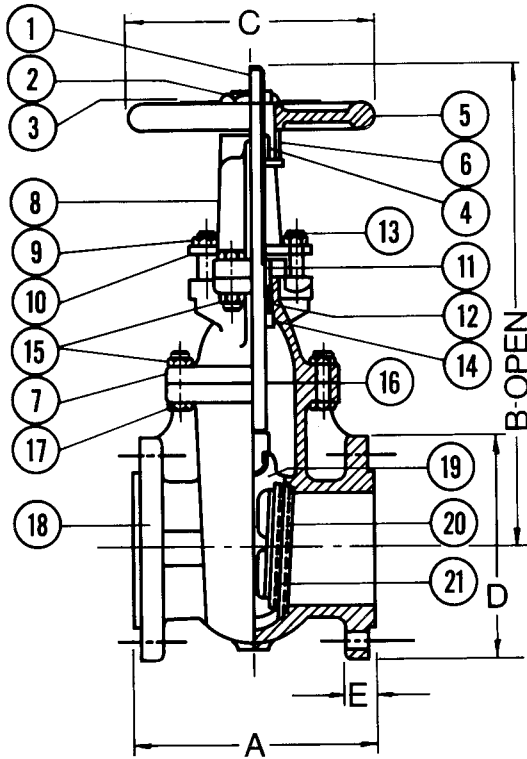


IR330-HI 2"-12"

Iron Gate Valve
250 SWP - 500 WOG †
OS & Y • Solid Wedge Disc
Bolted Bonnet • Flanged Ends
Conforms to: MSS SP-70

Flange shape and drilling to specification ASME B 16.1 (250 lb.)



| MATERIAL LIST | | | |
|----------------|---------------------|--------------|--------------------|
| No. | PART | MATERIAL | SPECIFICATION |
| 1 | Stem | Brass | ASTM B16 |
| 2 | Handwheel Nut | Ductile Iron | |
| 3 | Name Plate | Aluminum | |
| 4 | Yoke Bushing | Cast Bronze | ASTM B62 |
| 5 | Handwheel | Cast Iron | ASTM A126, Class B |
| 6 ² | Yoke Bushing Nut | Cast Iron | ASTM A126, Class B |
| 7 ¹ | Bonnet | Cast Iron | ASTM A126, Class B |
| 8 ¹ | Yoke | Cast Iron | ASTM A126, Class B |
| 9 | Gland Follower Nut | Steel | ASTM A307-B |
| 10 | Gland Follower | Ductile Iron | ASTM A536 |
| 11 | Packing Gland | Cast Bronze | ASTM B62 |
| 12 | Packing | Graphite | |
| 13 | Gland Follower Bolt | Steel | ASTM A307-B |
| 14 | Backseat Bushing | Cast Bronze | ASTM B62 |
| 15 | Nut | Steel | ASTM A307-B |
| 16 | Body Gasket | Graphite | |
| 17 | Bolt | Steel | ASTM A307-B |
| 18 | Body | Cast Iron | ASTM A126, Class B |
| 19 | Wedge | Cast Iron | ASTM A126, Class B |
| 20 | Seat Ring | Cast Bronze | ASTM B62 |
| 21 | Wedge Face Ring | Cast Bronze | ASTM B62 |

¹ Sizes 2" to 3" made with yoke integral with bonnet.
² Sizes 4" through 12" made with separate yoke bolted to bonnet.

| DIMENSIONS - INCHES/MILLIMETERS | | | | | | | |
|---------------------------------|-------|--------------|---------------|--------------|--------------|------------|----------------|
| Units | Size | A | B | C | D | E | C _v |
| Inches mm | 2 | 8.50 216 | 16.00 406 | 8.00 203 | 6.50 165 | 0.88 22 | 215 |
| Inches mm | 2 1/2 | 9.50 241 | 16.88 429 | 8.00 203 | 7.50 191 | 1.00 25 | 335 |
| Inches mm | 3 | 11.13 283 | 19.38 492 | 10.00 254 | 8.25 210 | 1.13 29 | 510 |
| Inches mm | 4 | 12.00 305 | 23.63 600 | 12.00 305 | 10.00 254 | 1.25 32 | 945 |
| Inches mm | 5 | 15.00 381 | 27.75 705 | 12.00 305 | 11.00 279 | 1.38 35 | 1525 |
| Inches mm | 6 | 15.88 403 | 32.38 822 | 14.00 356 | 12.50 318 | 1.44 37 | 2250 |
| Inches mm | 8 | 16.50 419 | 40.50 1245 | 16.00 406 | 15.00 381 | 1.63 41 | 4150 |
| Inches mm | 10 | 18.00 457 | 49.00 1245 | 18.00 457 | 17.50 445 | 1.88 48 | 6700 |
| Inches mm | 12 | 19.75 502 | 56.88 1445 | 20.00 508 | 20.50 521 | 2.00 51 | 9925 |

Suffix HI – Signifies International Valves.
 † Non-Shock

The information presented on this sheet is correct at time of publication. Hammond Valve reserves the right to change design and/or materials without notice. For our Installation, Operation and Maintenance Manual and the most current product information go to www.hammondvalve.com. Hammond Valve is a registered trademark of Milwaukee Valve.

⚠ State of California Prop 65 **WARNING:** Cancer and Reproductive Harm. For more information visit www.p65warnings.ca.gov.