



UP635 3/8"-2"



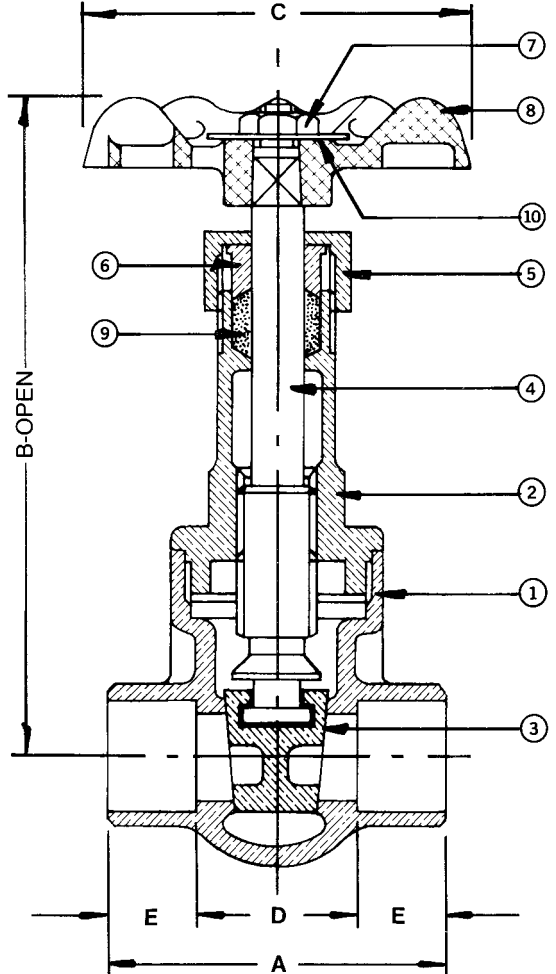
Bronze Gate Valve for Potable Water
300 psig WOG †
Solid Wedge Disc • Rising Stem
Threaded Bonnet • Solder Ends

Dimensions and Workmanship Conform to MSS SP-80

MATERIALS LIST

ITEM	PART	MATERIALS	ASTM SPEC.
1	Body	Bronze	B584 C89833
2	Bonnet	Bronze	B584 C89833
3	Wedge	Bronze	B584 C89833
4	Stem	Bronze	B21 C46400, H02
5	Stuff Nut	Brass	B283 C27450
6	Gland ¹	Brass	B283 C27450
7	Wheel Nut	Brass	Commercial
8	Handwheel	Mall. Iron	Commercial
9	Packing	Graphite	Commercial
10	Name Plate	Sh. Alum	Commercial

¹ Not used on 1/2" and smaller



DIMENSIONS - INCHES/MILLIMETERS							
Units	Size	A	B	C	D	E	C _v
Inches mm	3/8	1.63 41	4.31 110	2.00 51	0.88 22	0.38 10	10.7
Inches mm	1/2	1.88 48	4.31 110	2.00 51	0.88 22	0.50 13	17.6
Inches mm	3/4	2.50 64	6.25 159	2.50 64	1.00 25	0.75 19	32.0
Inches mm	1	3.00 76	7.00 178	2.75 70	1.19 30	0.91 23	54.0
Inches mm	1 1/4	3.25 83	8.63 219	3.44 87	1.31 33	0.97 25	97.0
Inches mm	1 1/2	3.63 92	9.50 241	3.75 95	1.44 37	1.09 28	135.0
Inches mm	2	4.31 110	11.50 292	3.75 95	1.63 41	1.34 34	230.0
Inches mm	2 1/2	4.81 122	14.31 364	4.75 121	1.88 48	1.47 37	337.0
Inches mm	3	5.44 138	16.38 416	5.25 133	2.13 54	1.66 42	536.0
Inches mm	4	7.25 184	15.50 394	5.25 133	2.93 75	2.16 55	960.0

† Non-Shock

* 4" is not covered in MSS SP-80. It has a split wedge and bolted bonnet.

Note: Lead free refers to the wetted surface of the pipe, fittings and fixtures in potable water systems that have a weighted average lead content ≤0.25%. Source: California Health and Safety Code (116875).

The information presented on this sheet is correct at time of publication. Hammond Valve reserves the right to change design and/or materials without notice. For our Installation, Operation and Maintenance Manual and the most current product information go to www.hammondvalve.com. Hammond Valve is a registered trademark of Milwaukee Valve.

⚠ State of California Prop 65 **WARNING:** Cancer and Reproductive Harm. For more information visit www.p65warnings.ca.gov.

