



# UP640 1/4"-2"



**Bronze Gate Valve for Potable Water**

**300 psig WOG †**

**Solid Wedge Disc • Rising Stem**

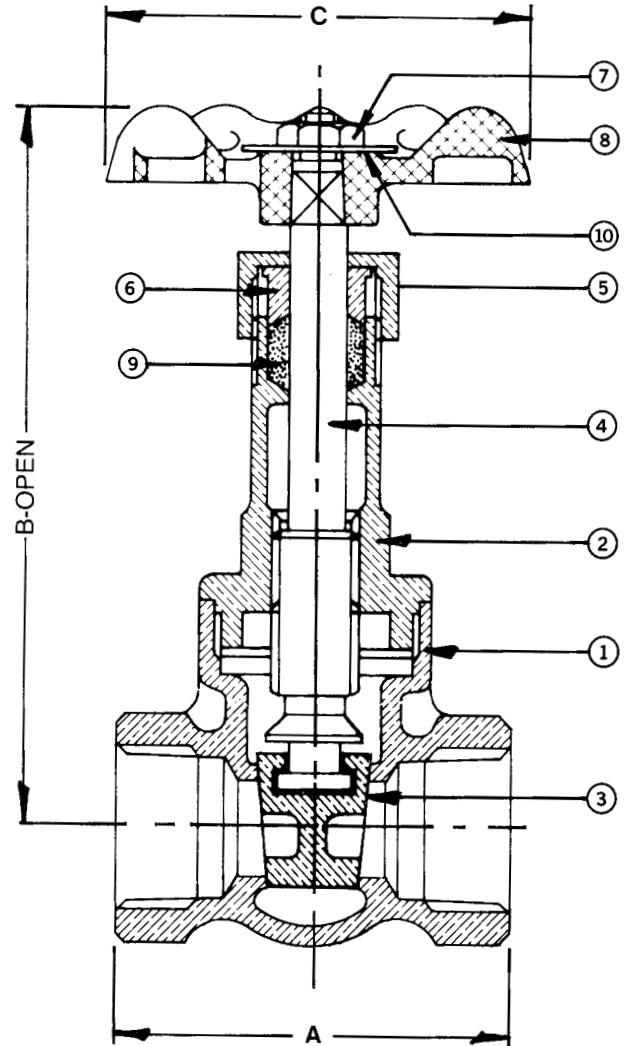
**Threaded Bonnet • Threaded Ends**

**Dimensions and Workmanship Conform to MSS SP-80**

## MATERIALS LIST

| ITEM | PART       | MATERIALS  | ASTM SPEC.      |
|------|------------|------------|-----------------|
| 1    | Body       | Bronze     | B584 C89833     |
| 2    | Bonnet     | Bronze     | B584 C89833     |
| 3    | Wedge      | Bronze     | B584 C89833     |
| 4    | Stem       | Brass      | B21 C46400, H02 |
| 5    | Stuff Nut  | Brass      | B283 C27450     |
| 6    | Gland 1    | Brass      | B283 C27450     |
| 7    | Wheel Nut  | Brass      | Commercial      |
| 8    | Handwheel  | Mall. Iron | Commercial      |
| 9    | Packing    | Graphite   | Commercial      |
| 10   | Name Plate | Sh. Alum   | Commercial      |

1 Not used on 1/2" and smaller



## DIMENSIONS

| Units  | Size  | A    | B     | C    | Cv    |
|--------|-------|------|-------|------|-------|
| INCHES | 1/4   | 1.75 | 4.38  | 2.00 | 5.6   |
| mm     |       | 44   | 111   | 6    |       |
| INCHES | 3/8   | 1.81 | 4.38  | 2.00 | 10.7  |
| mm     |       | 46   | 111   | 6    |       |
| INCHES | 1/2   | 2.00 | 4.38  | 2.00 | 17.6  |
| mm     |       | 51   | 111   | 6    |       |
| INCHES | 3/4   | 2.18 | 5.84  | 2.50 | 32.0  |
| mm     |       | 55   | 148   | 64   |       |
| INCHES | 1     | 2.56 | 7.06  | 2.75 | 54.0  |
| mm     |       | 65   | 179   | 70   |       |
| INCHES | 1 1/4 | 2.78 | 8.78  | 3.44 | 97.0  |
| mm     |       | 71   | 223   | 87   |       |
| INCHES | 1 1/2 | 2.81 | 9.50  | 3.75 | 135.0 |
| mm     |       | 71   | 241   | 95   |       |
| INCHES | 2     | 3.31 | 11.50 | 3.75 | 230.0 |
| mm     |       | 84   | 292   | 95   |       |

† Non-Shock

**Note:** Lead free refers to the wetted surface of the pipe, fittings and fixtures in potable water systems that have a weighted average lead content  $\leq 0.25\%$ . Source: California Health and Safety Code (116875).

The information presented on this sheet is correct at time of publication. Hammond Valve reserves the right to change design and/or materials without notice. For our Installation, Operation and Maintenance Manual and the most current product information go to [www.hammondvalve.com](http://www.hammondvalve.com). Hammond Valve is a registered trademark of Milwaukee Valve.

⚠ State of California Prop 65 **WARNING:** Cancer and Reproductive Harm. For more information visit [www.p65warnings.ca.gov](http://www.p65warnings.ca.gov).

