



**Bronze Ball Valve For Potable Water**  
**Two Piece**  
**Full Port**  
**600 psig WOG**  
**Threaded Ends**  
**Blow-Out Proof Stem**

# UP8301A/8303A 1/4"-2"

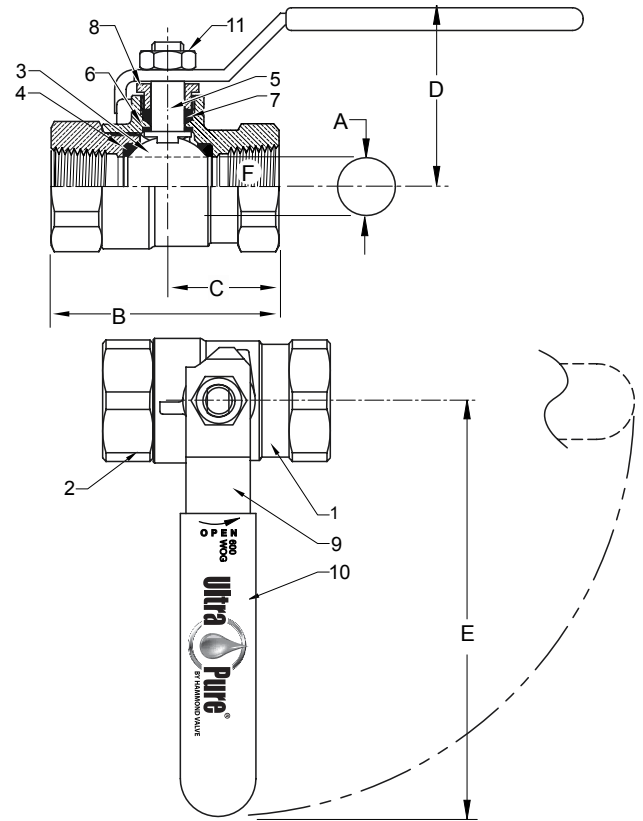
Dimensions and Workmanship Conform to MSS SP-110



### MATERIALS LIST

ITEM	PART	MATERIALS	ASTM SPEC.
1	Body	Cast Bronze	B584 C89833
2	Tailpiece	Cast Bronze	B584 C89833
3	Ball	Brass w/Hard Chrome Plating	B283 C27450
		316 Stainless Steel (1)	A276 S31600
4	Seat	RPTFE, 15% Glass Filled	Commercial
5	Stem	Brass	B21 C46400, H02
		316 Stainless Steel (1)	A276 S31600
6	Thrust Washer	RPTFE, 25% Glass Filled	Commercial
7	Packing	PTFE	Commercial
8	Packing Nut	Brass	B16 C36000
9	Handle	Steel w/Zinc Plating	Commercial
10	Hand Grip	Vinyl	Commercial
11	Handle Nut	Steel w/Zinc Plating	Commercial

(1) Ball and stem are stainless for UP8303A



### DIMENSIONS

	UNITS	1/4" DN10	3/8" DN10	1/2" DN15	3/4" DN20	1" DN25	1-1/4" DN32	1-1/2" DN40	2" DN50
A (DIA)	INCHES	0.38	0.38	0.50	0.76	1.06	1.31	1.56	2.00
	mm	10	10	13	19	27	33	40	51
B	INCHES	1.86	1.86	2.19	2.59	3.32	3.77	4.28	5.10
	mm	46	46	54	66	84	96	109	130
C	INCHES	1.00	1.00	1.10	1.30	1.59	1.81	2.06	2.37
	mm	25	25	27	33	40	46	52	60
D	INCHES	1.78	1.81	1.91	2.32	2.68	2.82	3.00	3.36
	mm	44	44	47	59	68	72	76	85
E	INCHES	3.82	3.82	3.82	4.55	6.33	6.33	6.33	7.19
	mm	94	94	94	116	161	161	161	183
F	THREAD SIZE	1/4" NPT	3/8" NPT	1/2" NPT	3/4" NPT	1" NPT	1-1/4" NPT	1-1/2" NPT	2" NPT
Cv		7	7	13	30	61	110	185	360

Note: DN (Diameter Nominal) = Metric equivalent size.

**Note:** Lead free refers to the wetted surface of the pipe, fittings and fixtures in potable water systems that have a weighted average lead content  $\leq 0.25\%$ . Source: California Health and Safety Code (116875).

The information presented on this sheet is correct at time of publication. Hammond Valve reserves the right to change design and/or materials without notice. For our Installation, Operation and Maintenance Manual and the most current product information go to [www.hammondvalve.com](http://www.hammondvalve.com). Hammond Valve is a registered trademark of Milwaukee Valve.

⚠ State of California Prop 65 **WARNING:** Cancer and Reproductive Harm. For more information visit [www.p65warnings.ca.gov](http://www.p65warnings.ca.gov).

