



**Bronze Ball Valve For Potable Water**  
**Two Piece**  
**Full Port**  
**200 psig @ 250°F†**  
**Press x Press Ends**  
**Blow-Out Proof Stem**

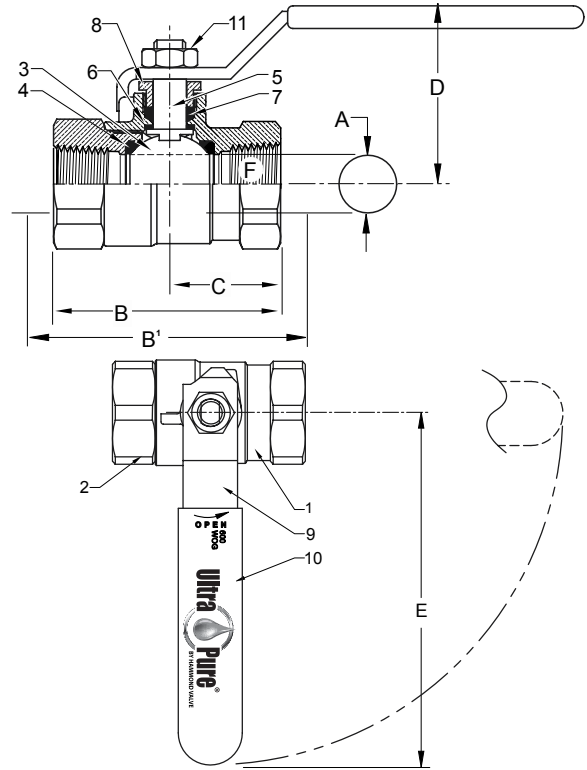
# UP8301A/8303A\* P2 1/2"-2"

**Dimensions and Workmanship Conform to MSS SP-110**

## MATERIAL LIST

| ITEM | PART           | MATERIAL                    | ASTM SPEC      |
|------|----------------|-----------------------------|----------------|
| 1    | Body           | Cast Bronze                 | B584<br>C89833 |
| 2    | Tailpiece      | Cast Bronze                 | B584<br>C89833 |
| 3    | Ball           | Brass w/Hard Chrome Plating | B283<br>C27450 |
|      |                | 316 Stainless Steel (1)     | A276<br>S31600 |
| 4    | Seat           | RPTFE, 15% Glass Filled     | Commercial     |
| 5    | Stem           | Brass                       | B21<br>C46400  |
|      |                | 316 Stainless Steel (1)     | A276<br>S31600 |
| 6    | Thrust Washer  | RPTFE, 25% Glass Filled     | Commercial     |
| 7    | Packing        | PTFE                        | Commercial     |
| 8    | Packing Nut    | Brass                       | B16<br>C36000  |
| 9    | Handle         | Steel w/Zinc Plating        | Commercial     |
| 10   | Handle Grip    | Vinyl                       | Commercial     |
| 11   | Handle Nut     | Steel w/Zinc Plating        | Commercial     |
| 12   | Press Adapters | Brass Fitting w/EPDM O-Ring | B283<br>C27450 |

(1) Ball and stem are stainless for UP8303A P2



## DIMENSIONS

|                     | UNITS       | 1/2"     | 3/4"     | 1"     | 1-1/4"     | 1-1/2"     | 2"     |
|---------------------|-------------|----------|----------|--------|------------|------------|--------|
|                     |             | DN15     | DN20     | DN25   | DN32       | DN40       | DN50   |
| A (DIA)             | INCHES      | 0.50     | 0.76     | 1.06   | 1.31       | 1.56       | 2.00   |
|                     | mm          | 13       | 19       | 27     | 33         | 40         | 51     |
| STD INSERTION DEPTH | INCHES      | 0.87     | 0.98     | 0.98   | 1.02       | 1.42       | 1.58   |
|                     | mm          | 22       | 25       | 25     | 26         | 36         | 40     |
| B                   | INCHES      | 2.19     | 2.59     | 3.32   | 3.77       | 4.28       | 5.10   |
|                     | mm          | 54       | 66       | 84     | 96         | 109        | 130    |
| B1                  | INCHES      | 5.19     | 6.17     | 7.32   | 7.84       | 8.76       | 11.10  |
|                     | mm          | 132      | 157      | 186    | 199        | 228        | 282    |
| C                   | INCHES      | 1.10     | 1.30     | 1.59   | 1.81       | 2.06       | 2.37   |
|                     | mm          | 27       | 33       | 40     | 46         | 52         | 60     |
| D                   | INCHES      | 1.91     | 2.32     | 2.68   | 2.82       | 3.00       | 3.36   |
|                     | mm          | 47       | 59       | 68     | 72         | 76         | 85     |
| E                   | INCHES      | 3.82     | 4.55     | 6.33   | 6.33       | 6.33       | 7.19   |
|                     | mm          | 94       | 116      | 161    | 161        | 161        | 183    |
| F                   | THREAD SIZE | 1/2" NPT | 3/4" NPT | 1" NPT | 1-1/4" NPT | 1-1/2" NPT | 2" NPT |
| Cv                  |             | 13       | 30       | 61     | 110        | 185        | 360    |

Note: DN (Diameter Nominal) = Metric equivalent size.

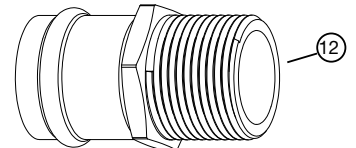
†Non-Shock

\*Both the valve and 4151 series press end adapters are tested and certified by IAPMO R & T to NSF/ANSI 61 and NSF/ANSI 372 for "Lead Free" compliance.

**Note:** Lead free refers to the wetted surface of the pipe, fittings and fixtures in potable water systems that have a weighted average lead content ≤0.25%. Source: California Health and Safety Code (116875).

The information presented on this sheet is correct at time of publication. Hammond Valve reserves the right to change design and/or materials without notice. For our Installation, Operation and Maintenance Manual and the most current product information go to [www.hammondvalve.com](http://www.hammondvalve.com). Hammond Valve is a registered trademark of Milwaukee Valve.

⚠ State of California Prop 65 **WARNING:** Cancer and Reproductive Harm. For more information visit [www.p65warnings.ca.gov](http://www.p65warnings.ca.gov).



Press End Adapter.

Available with Press x Threaded Ends  
 (Order UPBA400P1/  
 UPBA400SP1)

